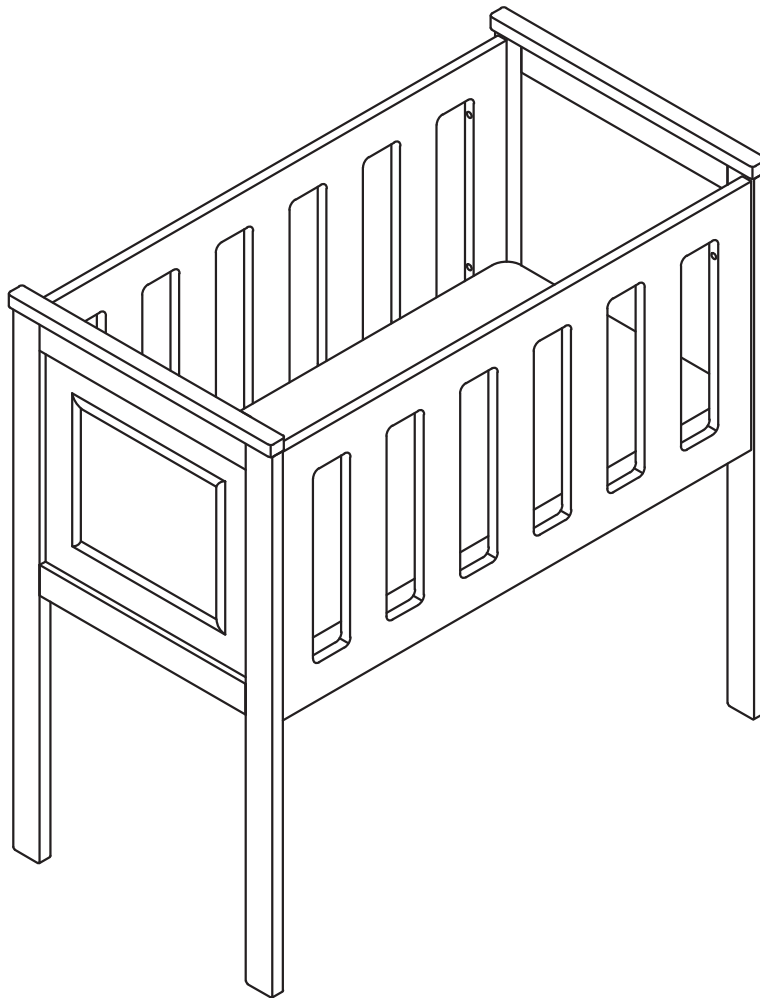


Venice Bassinet

Assembly Instruction



Packaging and instructions
printed on recycled materials

**Save the instructions for future reference.
Assembly of this furniture is best undertaken by two people.**

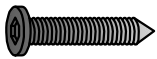
SJC brands

SJC Brands Pty Ltd abn. 58 106 988 578
4-6 Merryvale Rd, Minto, NSW 2566
t. 02 9603 5000 f. 02 9603 7000

e. customer.service@sjcbrands.com.au
p.o. box 5878 MINTO DC, NSW 2566
www.tasmaneco.com.au

Hardware List

Bolt M6 x 70mm x 8



Self tapping screw x 6



Base Bracket x 6



Allen Key x 2



CAUTION:

THIS BASSINET DESIGNED FOR AN INFANT HAVING A MAXIMUM WEIGHT OF 9 KG.

RECOMMENDED MATTRESS SIZE :IT IS RECOMMENDED THAT THE MATTRESS USED IN THIS BASSINET BE A SNUG FIT AND NOT EXCEED 50MM IN THICKNESS.

For general dusting / cleaning-periodically wipe the bassinet with adry soft cloth. To remove day to day spills or dirt, wipe down with a soft cloth and mild solution of warm soapu water. Aviod scourers and steel wool as these will damaged the finish. Always dry the bassinet after cleaning.



WARNING

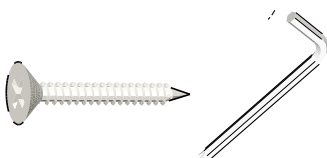
- To follow the assembly instructions in detail to ensure the safety features of the bassinet are not compromised.
- To remove any tools or excess parts including plastic packaging from the bassinet vicinity after its assembly.
- To discontinue use of the bassinet before the infant can sit up by itself.
- For any padding and cushioning materials, including the mattress to be sufficiently firm to preclude conforming to the contours of the infants' face.
- To ensure that the infant is not positioned face down into the mattress.
- To ensure that proper ventilation is maintained in and around the bassinet by limiting bed clothes, extra pillows or toys.
- To ensure the bassinet is placed at a reasonable distance from curtains, blinds, heaters, and power points.
- To keep medication, string, elastic, small toys or small items such as money out of reach from any position in the bassinet
- To aware that the ribbons or lace associated with beddiing may entangle the infant.

Small parts can present a choking hazard. Always keep small parts out of reach of children both during and after assembly. Store any spare or unused parts in a safe place.

Assembly tips for hardware

We recommend tightening all screws and connectors by hand. If using a cordless driver, set the speed to a slow setting and the clutch to a low setting to prevent excessive tightening that may result in damage to your furniture.

Screws

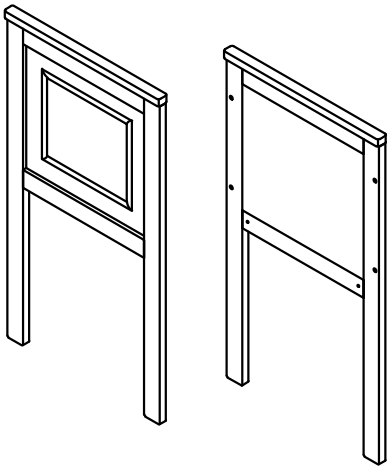


Recheck tightness

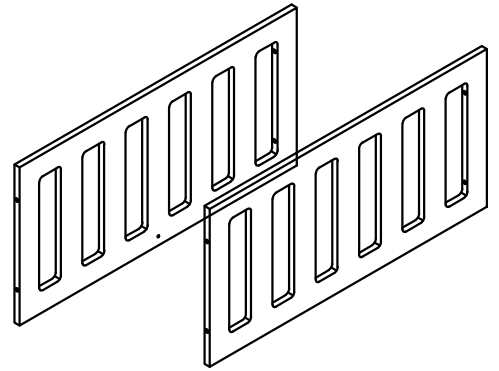
Re-tighten all connecting bolts (at least two months after assembling the bassinet), as some connectors may loosen as the bassinet settles. Periodically check all of the connecting screws, making sure the are tight.

Parts List

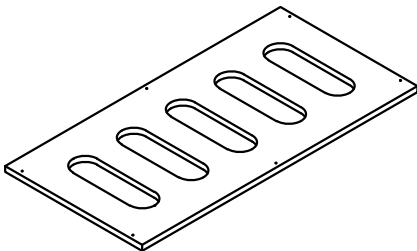
Headboard x 2



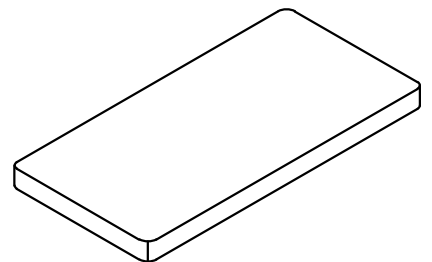
Side Panel x 2



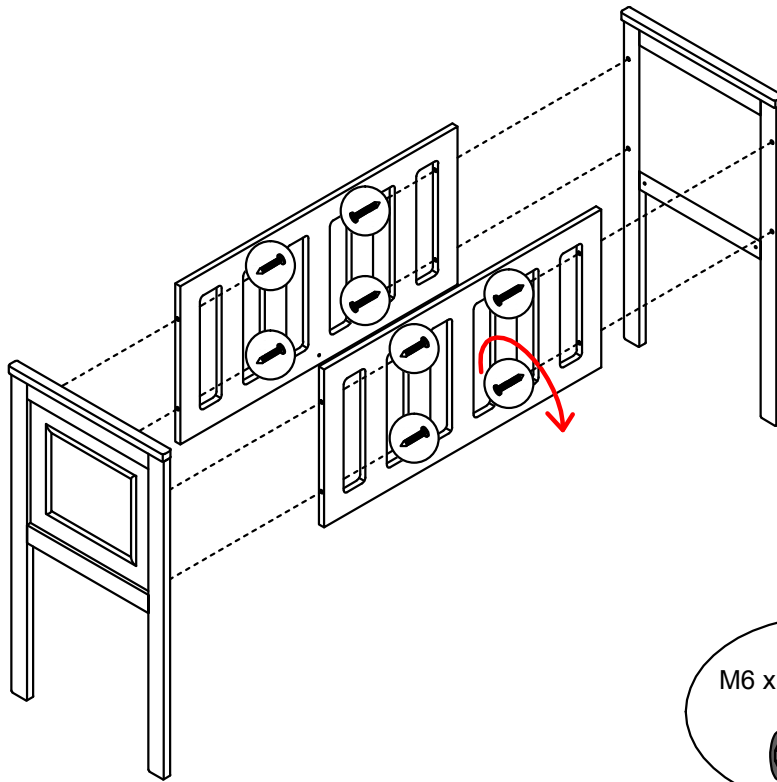
Base x 1



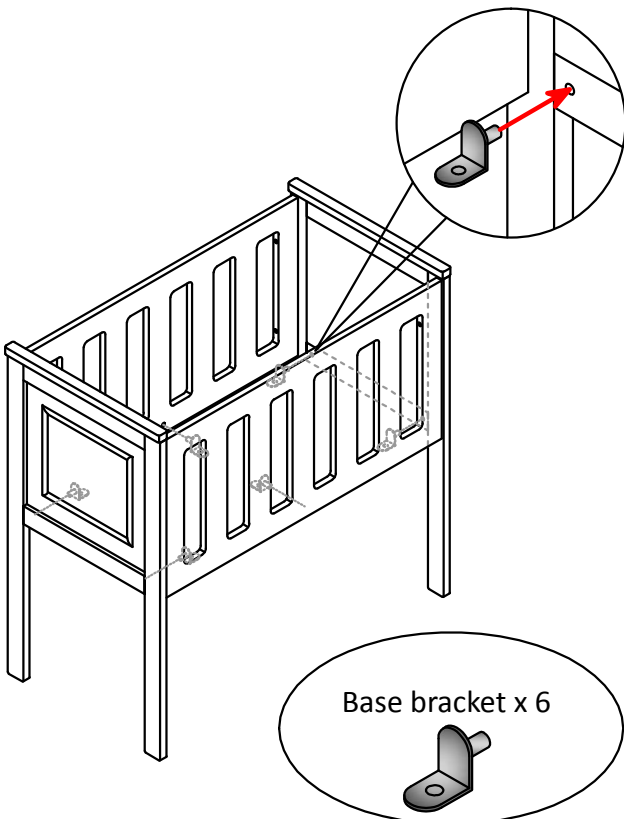
Mattress x 1



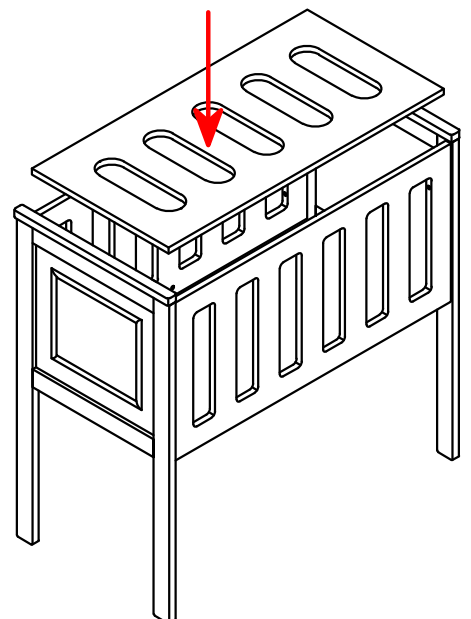
1 Connect the headboards to side panels secure with M6 x 70mm bolts.



2 Fix base brackets into the holes on the headboards and side panels.

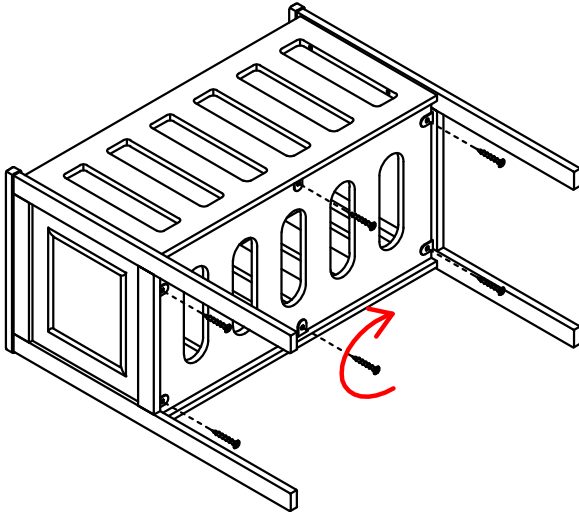


3 Put the base into the bassinet on the brackets.



4

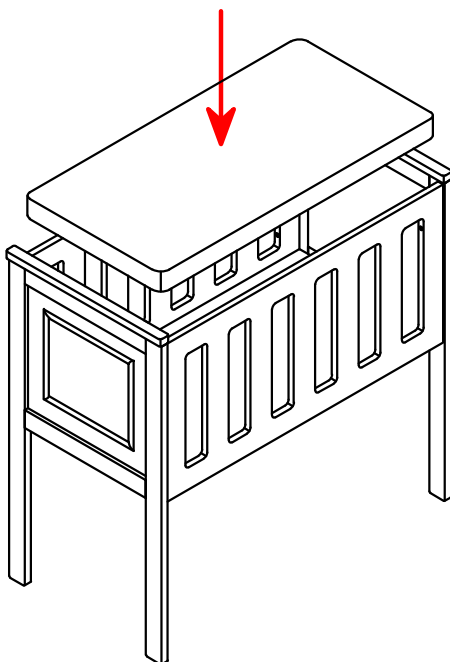
Connect the base with base brackets secure with Self tapping screws.



Self tapping screw x 6

5

Tighten all connecting bolts and screws but do not overtighten. Insert the mattress, bassinet is now complete.



Allen key x 2

Guarantee & Warranty

Our goods come with guarantees that cannot be excluded under the Australian Consumer Law. You are entitled to a replacement or refund for a major failure and for compensation for any other reasonably foreseeable loss or damage. You are also entitled to have the goods repaired or replaced if the goods fail to be of acceptable quality and the failure does not amount to a major failure. The guarantee described below is in addition to the guarantee provided by law.

5 YEAR MATERIALS AND WORKMANSHIP GUARANTEE

If within 5 years of the date of purchase of this product, there is found any defect in materials or workmanship of this product, SJC Brands Pty Ltd will replace the product free of charge, subject to the condition below:

The replacement product will be identical to the originally purchase product wherever possible, though in situations where the identical model is discontinued or out of stock, then SJC Brands Pty Ltd will replace the product with a model that is functionally equivalent

This Guarantee is made to the purchaser and/or original owner only. For purposes of this Guarantee, the original owner is considered to be the person who first makes use of the product.

Note: In situations where a person purchases this product for the purpose of gifting to another, the recipient is considered to be the original owner.

CONDITIONS:

The 5 Year Material and Workmanship Guarantee will be void and nullified in circumstances where:

- 1.The item is improperly assembled or adjusted and or not assembled strictly in accordance with the written instructions provided by the seller in the box containing the item.
- 2.There is damage to the product and that damage is deemed by SJC Brands Pty Ltd to be caused by incorrect assembly, misuse or by use or storage outside of the physical or environmental specifications of the product.
- 3.There are modifications to the product or to parts of the product that were not authorized in writing by SJC Brands Pty Ltd.
- 4.The item is transferred, gifted or disposed of by the original owner to another.

WARRANTY CLAIM PROCEDURE:

For warranty claims, please email us via our claims section on our website www.tasmaneco.com.au or visit the store where the product was purchased.

The product must be returned to SJC Brands Pty Ltd or to the place of purchase with proof of purchase, including date and purchase price.

SJC Brands Pty Ltd ABN. 58 106 988 578
4-6 Merryvale Rd , Minto , NSW 2566
PH: 02 9603 5000 FAX: 02 9603 7000
www.tasmaneco.com.au
Email: customer.service@sjcbrands.com.au