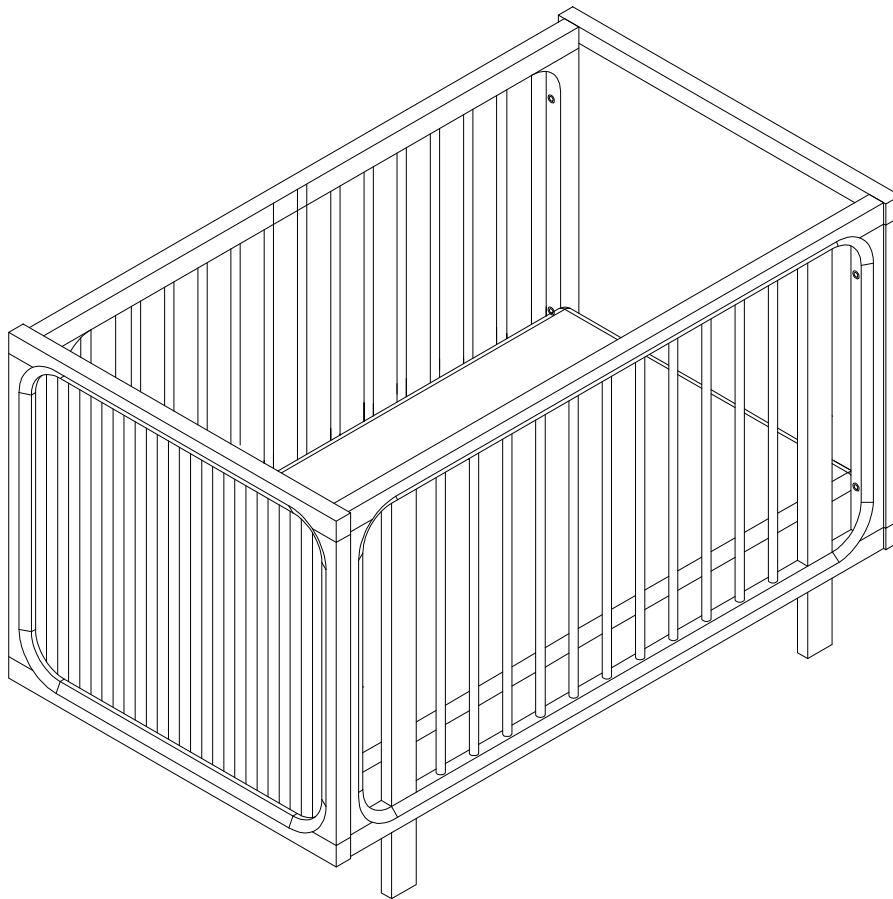


Maui cot

Assembly Instruction



Care & Cleaning Tips:

For general dusting / cleaning - periodically wipe the cot with a dry soft cloth. To remove day to day spills or dirt, wipe down with a soft cloth and mild solution of warm soapy water. Avoid scourers and steel wool as these will damage the finish. Always dry the cot after cleaning.



Packaging and instructions
printed on recycled materials

Save the instructions for future reference.
Assembly of this furniture is best undertaken by two people.

SJC brands

SJC Brands Pty Ltd abn. 58 106 988 578 e.customer.service@sjcbrands.com.au
4-6 Merryvale Rd, Minto, NSW 2566 p.o. box 5878 MINTO DC, NSW 2566
t. 02 9603 5000 f. 02 9603 7000 www.tasmaneco.com.au

Due to the heavy nature of the cot, it is recommended assembly is undertaken by two people.

Warning

Safety Consideration for your Child.

- Follow the manufacturer's assembly instructions in detail to ensure the safety features of the cot are not compromised.
- ENSURE THE COT IS NOT PLACED TOO CLOSE TO HEATERS, BLINDS, CURTAINS, WINDOWS OR POWER POINTS.
- DO NOT HANG ANYTHING NEARBY WHERE THERE IS A POTENTIAL DANGER OF THE ITEM FALLING INTO THE COT.
- KEEP ANY MEDICATION, STRING, ELASTIC, SMALL TOYS OR SMALL ITEMS SUCH AS MONEY OUT OF REACH FROM ANY POSITION IN THE COT. It is advisable to keep all items out of your child's cot to prevent suffocation or strangulation.
- TO PREVENT FALLS, THE BASE OF THE COT SHOULD BE ADJUSTED TO THE LOWEST POSITION BEFORE YOUR CHILD CAN SIT UP.
- WHEN CONVERTING THE COT TO A JUNIOR BED, THE SIDE RAILS SHOULD BE INSTALLED TO PREVENT FALLS.

Recommended Mattress Size.

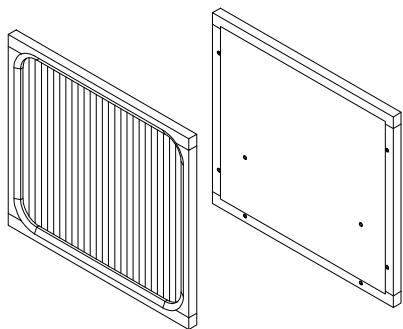
- This cot has been manufactured for use with a mattress which measures 690 mm wide x 1300 mm long x 120 mm thickness (Max thickness is 120mm). The width and length are specified because it is IMPORTANT that the gaps between the mattress and sides and ends of the cot do not exceed 40 mm when the mattress is pushed to one side or end, and 20mm when the mattress is centred in the cot. This is to minimise the risk of a child's limb becoming caught in the gap. The thickness of the mattress had been specified to ensure that the depth of the cot is greater than 500mm with the mattress base in the lower position to minimise the risk of a child climbing or falling out of the cot .

Safety Consideration for Cot.

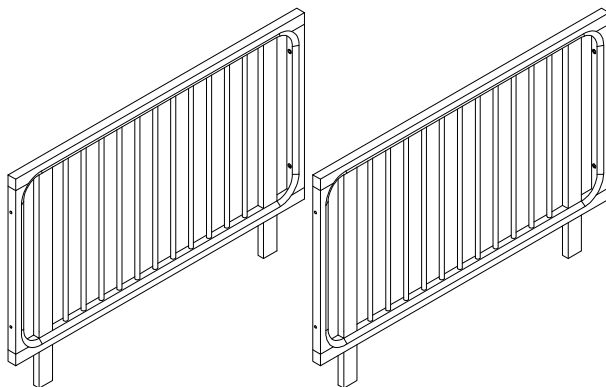
- Re-tighten all connector bolts (at least two months after assembling the cot), as some may loosen as the cot settles.
Regularly check all of the connecting bolts, making sure they are tight.
- Regularly check cot for weakness in panels joints and panels. If any weaknesses are found, report immediately to SJC
Brands via: www.tasmaneco.com.au
- Do not use cot if it has been damaged in any way and always use genuine Tasman Eco parts. Contact your nearest Tasman Eco stockist or original place of purchase for spare parts.

Parts List

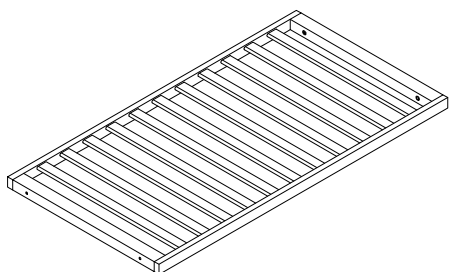
Headboard x 2



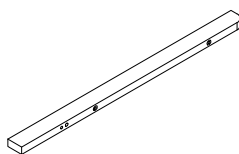
Side panel x 2



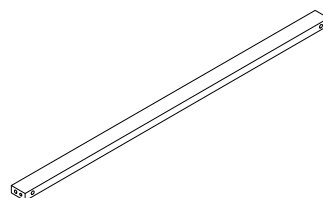
Base x 1



corner post x 2

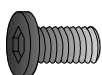


Rail cover panel x 1

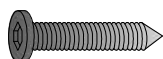


Parts checklist

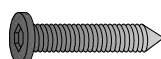
M6 x 15mm Bolt x 4



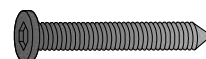
M6 x 60mm Bolt x 12



M6 x 70mm Bolt x 4



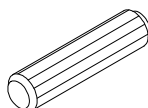
M6 x 90mm Bolt x 2



M6 x 22mm Metal cross dowel x 2



M9.8 x 40mm Stick x 2

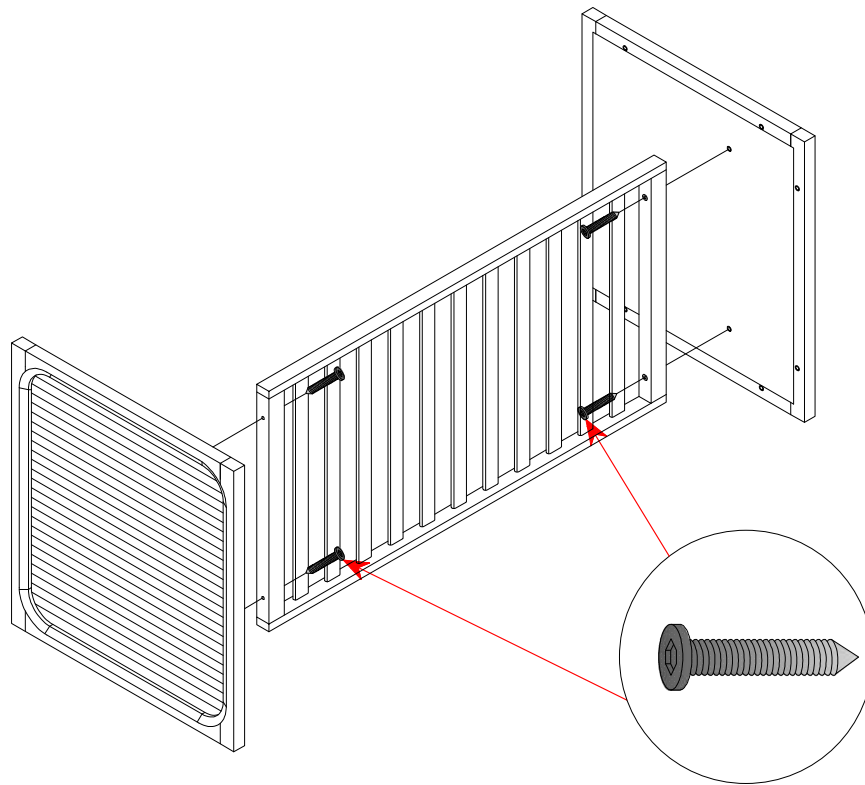


Alan key x 2



1

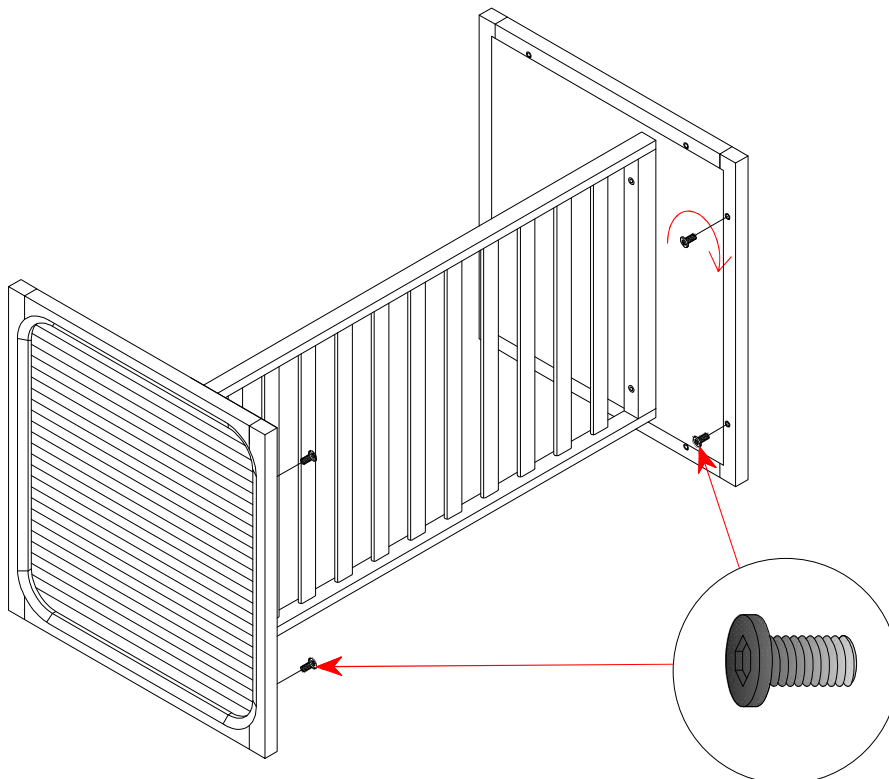
Connect the base to headboard secure with M6 x 60mm bolts and metal cross dowels.



M6 x 60mm Bolt x 4

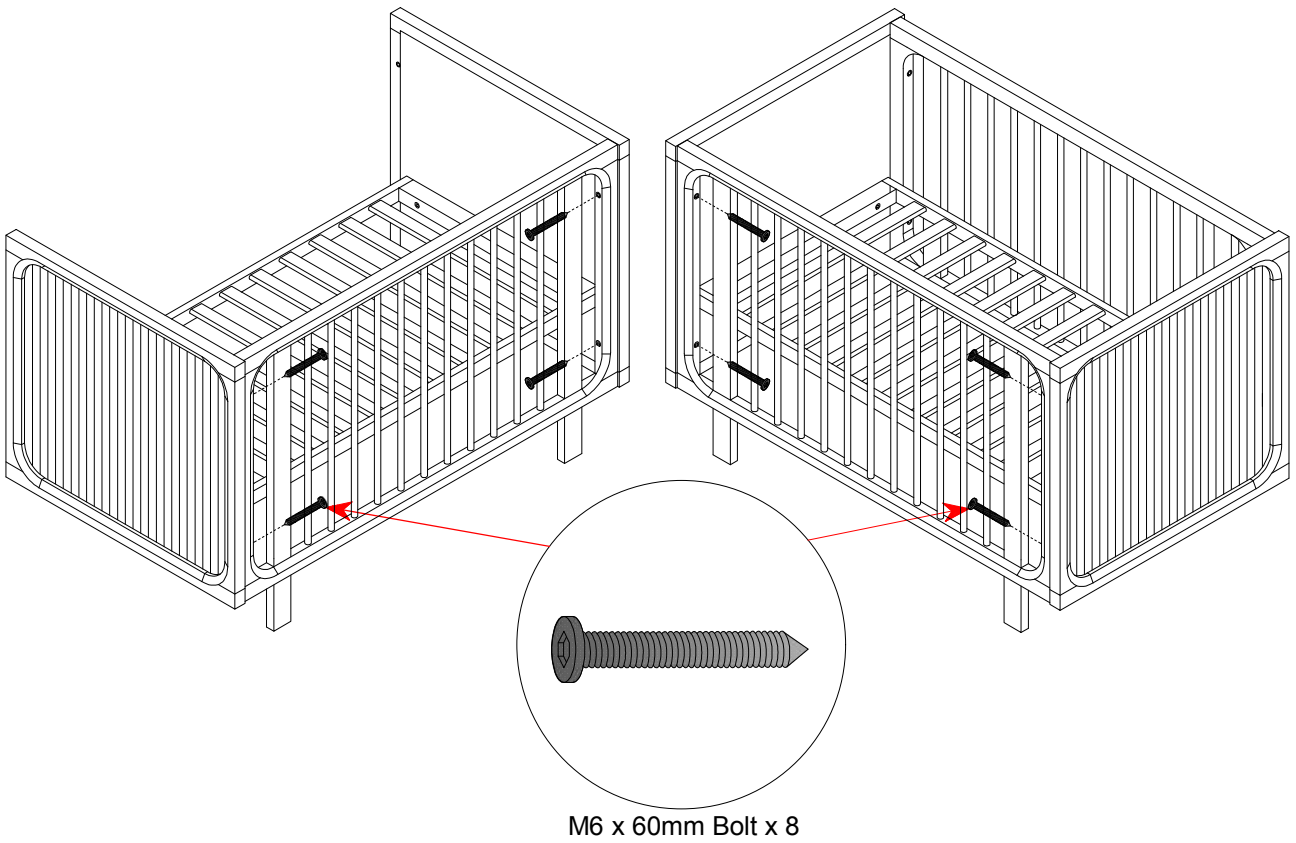
2

Fix M6 x 15mm bolts to unused holes.

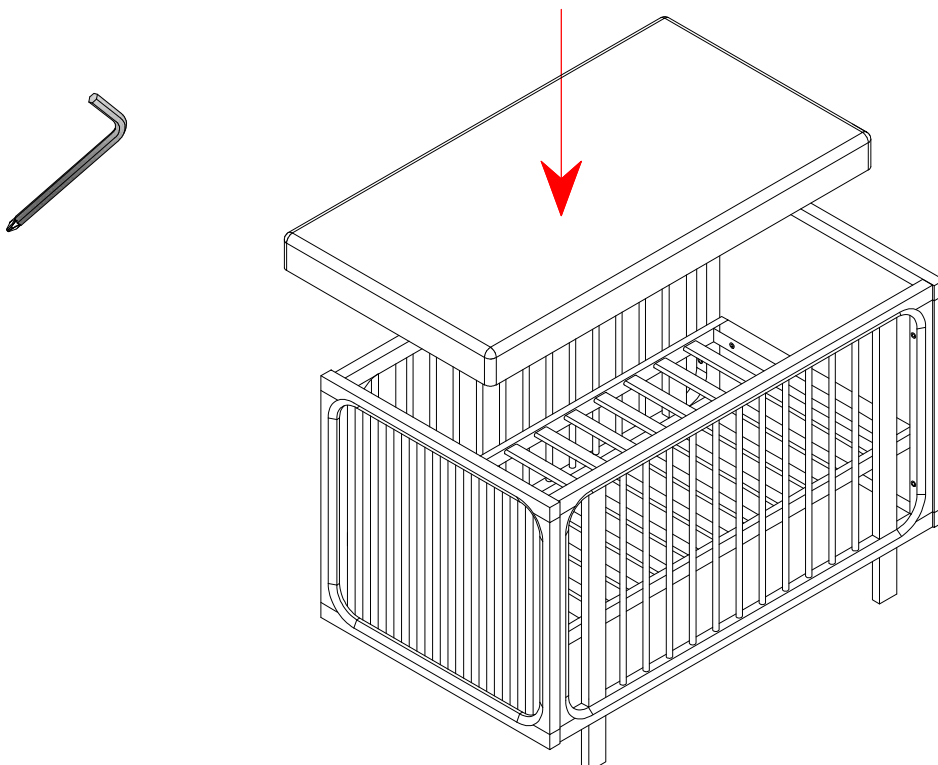


M6 x 15mm Bolt x 4

- 3** Connect side panels to headboards secure with M6 x 60mm bolts.

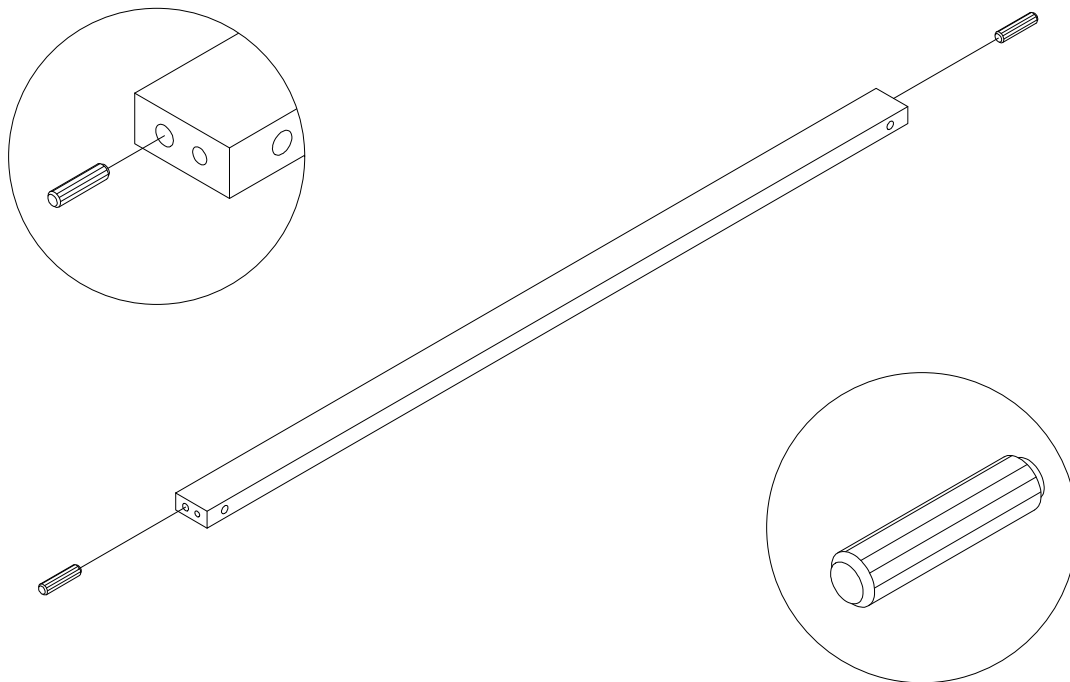


- 4** Check all the bolts and screws are tighten but do not over tighten. insert the recommended mattress and cot is completed.



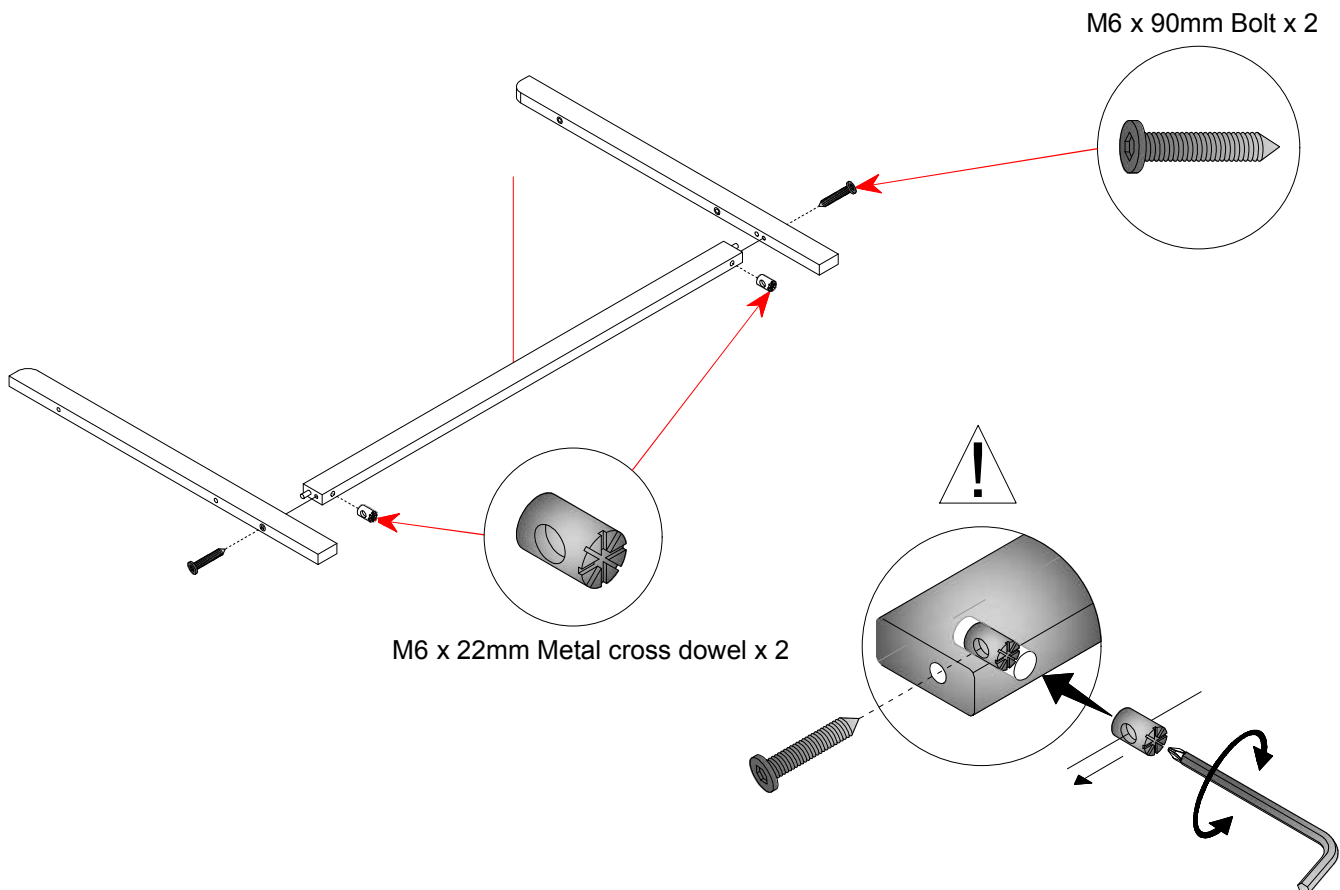
Toddler bed assembly

1 将木棒插入轨道盖板。



M9.8 x 40mm Stick x 2

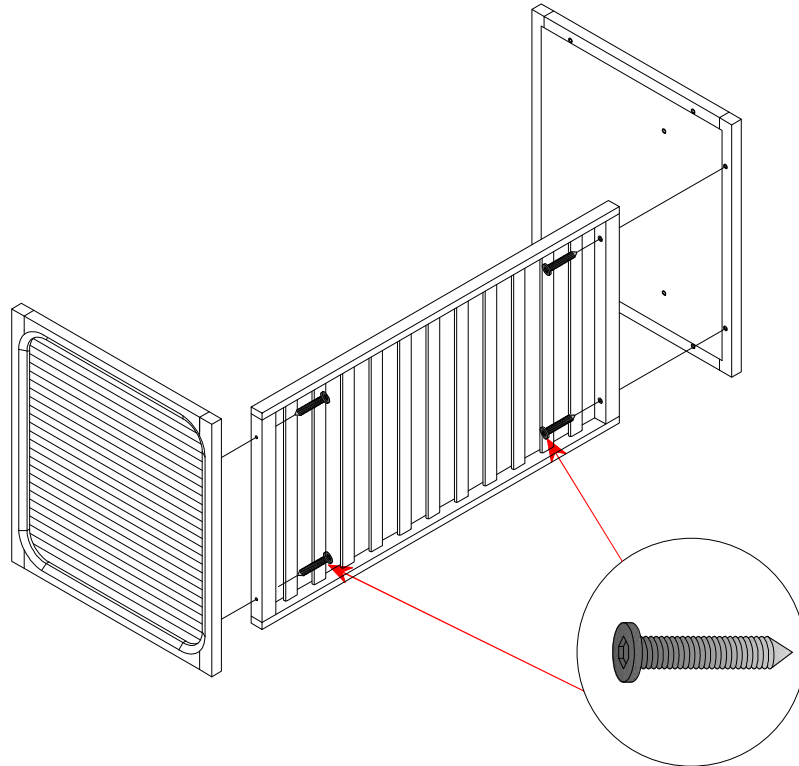
2 将轨道盖板连接到角柱上，用M6 x 90mm螺栓和金属十字定位销固定



M6 x 90mm Bolt x 2

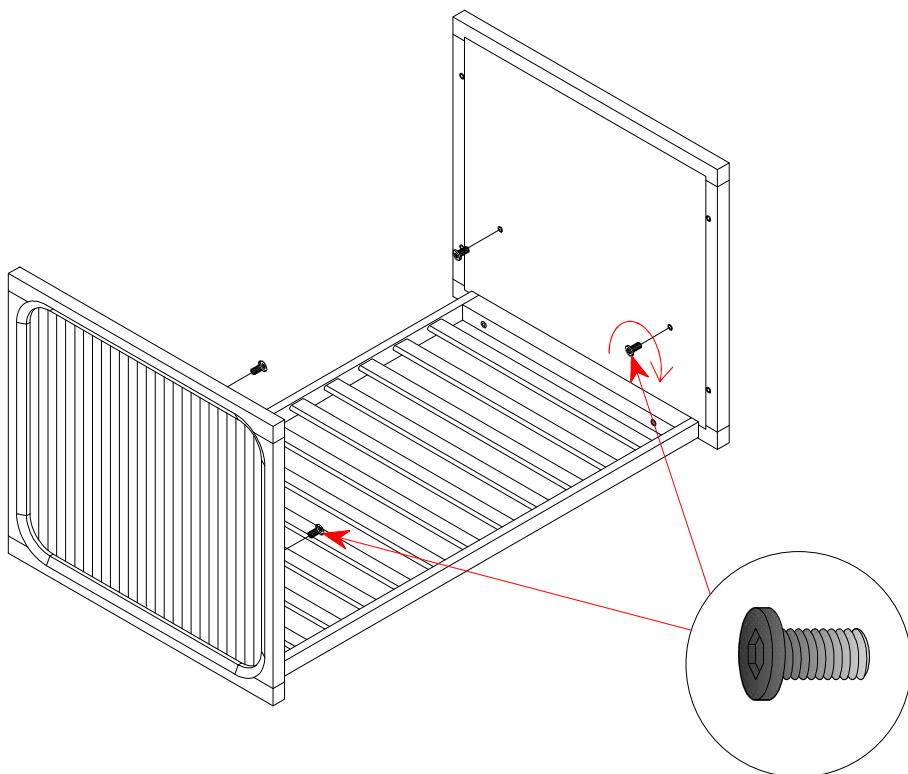
M6 x 22mm Metal cross dowel x 2

- 3** Connect side panels to headboards secure with M6 x 60mm bolts.



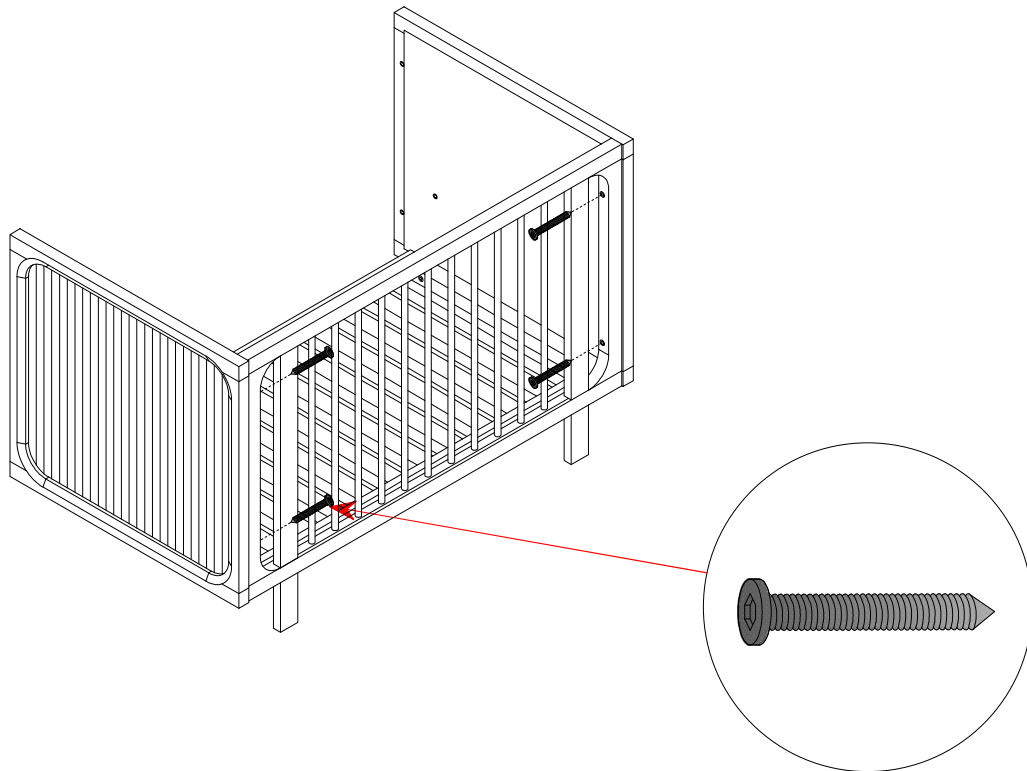
M6 x 60mm Bolt x 4

- 4** Fix M6 x 15mm bolts to unused holes.



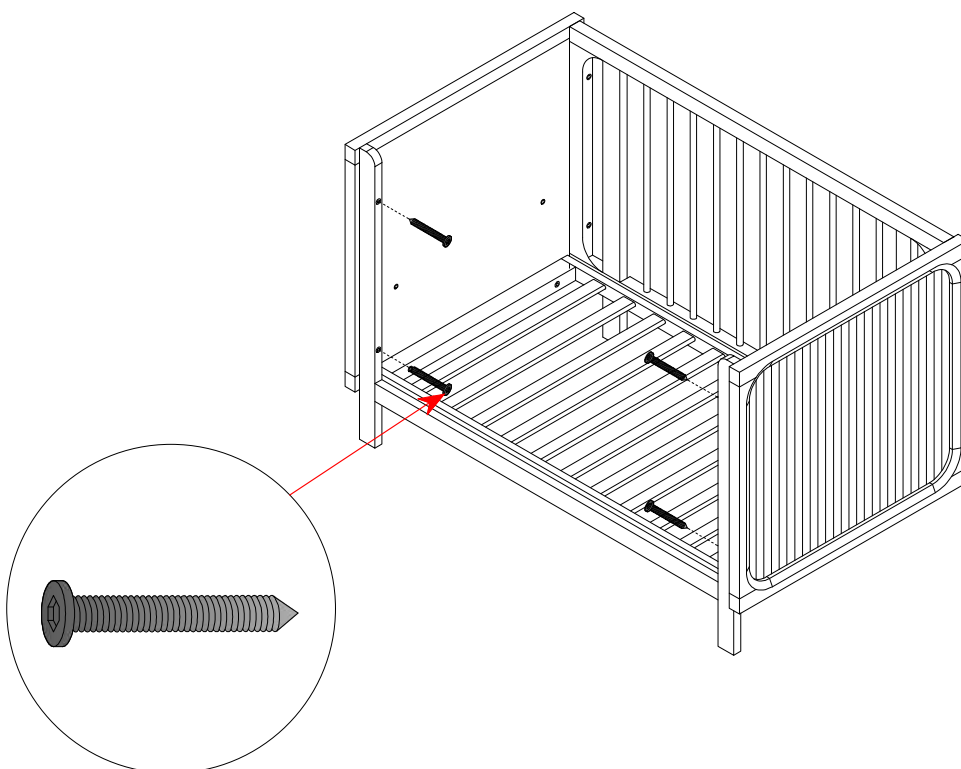
M6 x 15mm Bolt x 4

5 Connect side panels to headboards secure with M6 x 60mm bolts.



M6 x 60mm Bolt x 4

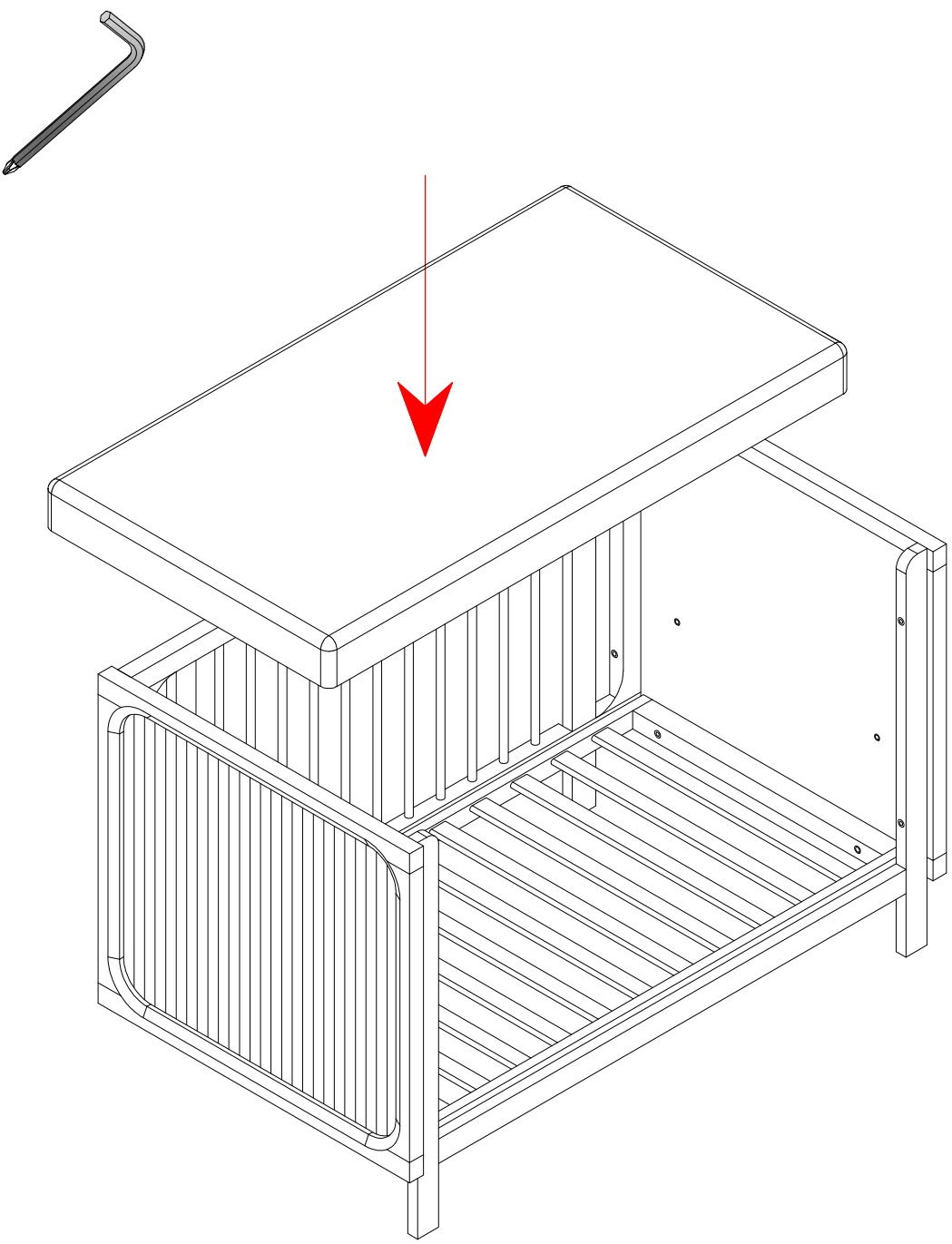
6 将幼儿床组件连接到床头板，用M6 x 70mm螺栓固定。



M6 x 70mm Bolt x 4

7

Check all the bolts and screws are tighten but do not over tighten.
insert the recommended mattress and cot is completed.



Our goods come with guarantees that cannot be excluded under the Australian Consumer Law. You are entitled to a replacement or refund for a major failure and for compensation for any other reasonably foreseeable loss or damage. You are also entitled to have the goods repaired or replaced if the goods fail to be of acceptable quality and the failure does not amount to a major failure. The guarantee described below is in addition to the guarantee provided by law.

2 YEAR MATERIALS AND WORKMANSHIP GUARANTEE

If within 2 years of the date of purchase of this product, there is found any defect in materials or workmanship of this product, SJC Brands Pty Ltd will replace the product free of charge, subject to the condition below:

The replacement product will be identical to the originally purchase product wherever possible, though in situations where the identical model is discontinued or out of stock, then SJC Brands Pty Ltd will replace the product with a model that is functionally equivalent

This Guarantee is made to the purchaser and/or original owner only. For purposes of this Guarantee, the original owner is considered to be the person who first makes use of the product.

Note: In situations where a person purchases this product for the purpose of gifting to another, the recipient is considered to be the original owner.

CONDITIONS:

The 2 Year Material and Workmanship Guarantee will be void and nullified in circumstances where:

1. The item is improperly assembled or adjusted and or not assembled strictly in accordance with the written instructions provided by the seller in the box containing the item.
2. There is damage to the product and that damage is deemed by SJC Brands Pty Ltd to be caused by incorrect assembly, misuse or by use or storage outside of the physical or environmental specifications of the product.
3. There are modifications to the product or to parts of the product that were not authorized in writing by SJC Brands Pty Ltd.
4. The item is transferred, gifted or disposed of by the original owner to another.

WARRANTY CLAIM PROCEDURE:

For warranty claims, please email us via our claims section on our website www.tasmaneco.com.au or visit the store where the product was purchased.

The product must be returned to SJC Brands Pty Ltd or to the place of purchase with proof of purchase, including date and purchase price.

SJC Brands Pty Ltd ABN. 58 106 988 578

4-6 Merryvale Rd , Minto , NSW 2566

PH: 02 9603 5000 FAX: 02 9603 7000

www.tasmaneco.com.au Email:

customer.service@sjcbrands.com.au