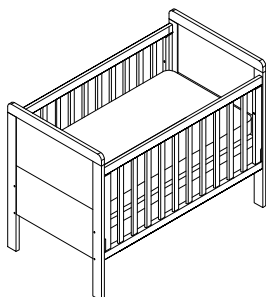
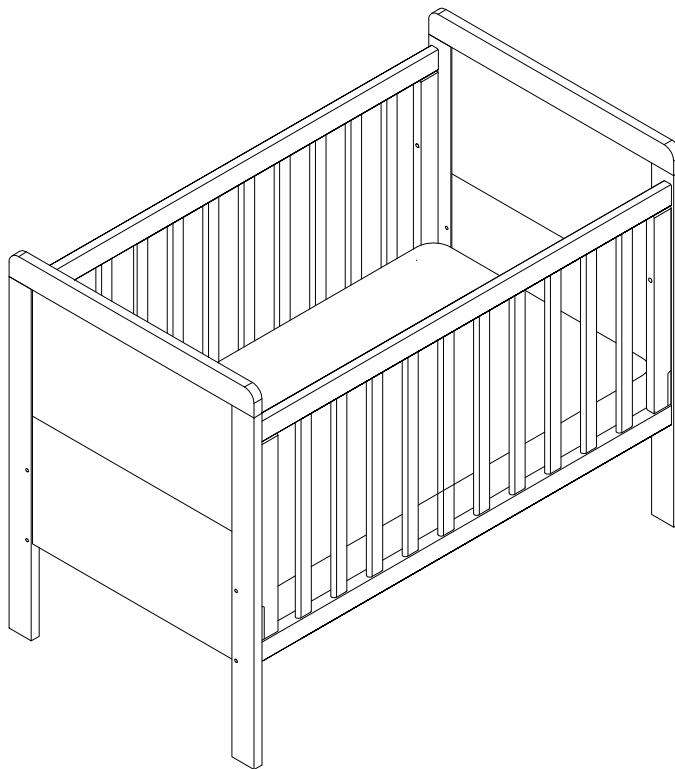
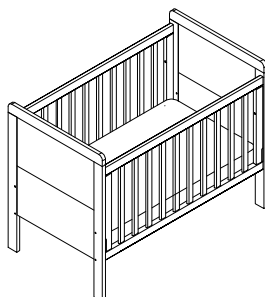


Zaria Cot

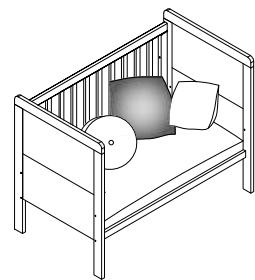
Assembly Instruction



Bassinet



Cot



Junior bed/Chaise Lounge



Packaging and instructions
printed on recycled materials

Save the instructions for future reference.
Assembly of this furniture is best undertaken by two people.



SJC Brands Pty Ltd abn. 58 106 988 578
4-6 Merryvale Rd, Minto, NSW 2566
t. 02 9603 5000 f. 02 9603 7000

w. www.tasmaneco.com.au
p.o. box 5878 MINTO DC, NSW 2566
email. customer.service@sjcbrands.com.au

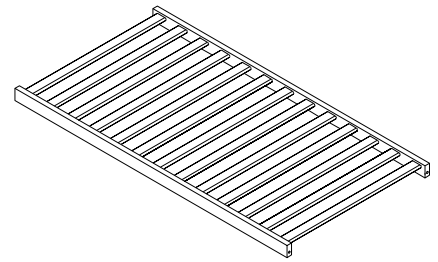
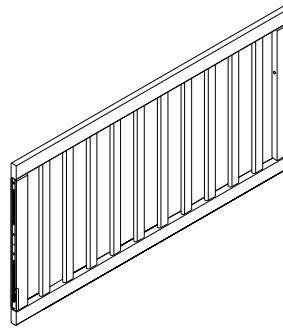
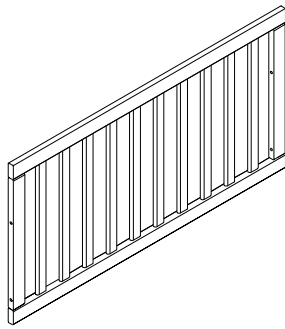
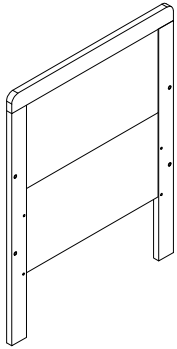
Parts List

Front Dropside

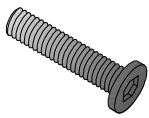
Headboard x 2

Rear Fixed side

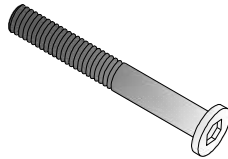
Base slats x 1



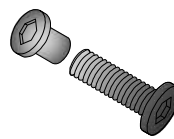
50mm Guard Screws x 2



Connector Bolts x 2



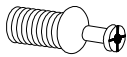
Double Ended Screws x 4



Metal Cross Dowels x 4
(Cot/Bassinet)



Glide Pins x 4



Junior bed Screw caps x 4



Screwdriver x 1



Allen key x 1



Due to the heavy nature of the cot, it is recommended assembly is undertaken by two people.

Warning

Safety Consideration for your Child.

- Follow the manufacturer's assembly instructions in detail to ensure the safety features of the cot are not compromised.
- ENSURE THE COT IS NOT PLACED TOO CLOSE TO HEATERS, BLINDS, CURTAINS, WINDOWS OR POWER POINTS.
- DO NOT HANG ANYTHING NEARBY WHERE THERE IS A POTENTIAL DANGER OF THE ITEM FALLING INTO THE COT.
- KEEP ANY MEDICATION, STRING, ELASTIC, SMALL TOYS OR SMALL ITEMS SUCH AS MONEY OUT OF REACH FROM ANY POSITION IN THE COT. It is advisable to keep all items out of your child's cot to prevent suffocation or strangulation.
- TO PREVENT FALLS, THE BASE OF THE COT SHOULD BE ADJUSTED TO THE LOWEST POSITION BEFORE YOUR CHILD CAN SIT UP.
- WHEN CONVERTING THE COT TO A JUNIOR BED, THE SIDE RAILS SHOULD BE INSTALLED TO PREVENT FALLS.

Recommended Mattress Size.

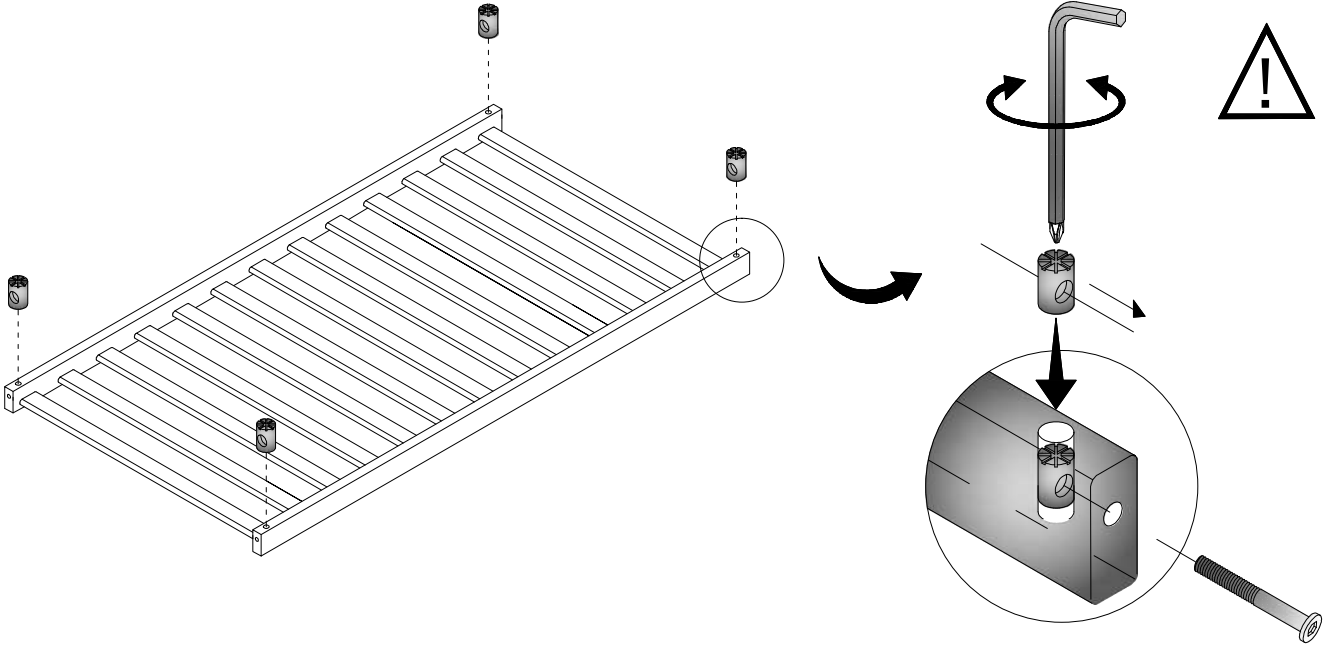
- This cot has been manufactured for use with a mattress which measures 690 mm (69 cm) wide x 1300 mm (130 cm) long x 120 mm (12cm) (maximum thickness). The width and length are specified because it is IMPORTANT that the gaps between the mattress and the sides and ends of the cot do not exceed 40 mm when the mattress is pushed to one side or end, and 20mm when the mattress is centred in the cot. This is to minimise the risk of a child's limb becoming caught in the gap. The thickness of the mattress had been specified to ensure that the depth of the cot is greater than 500mm with the mattress base in the lower position to minimise the risk of a child climbing or falling out of the cot .

Safety Consideration for Cot.

- Re-tighten all connector bolts (at least two months after assembling the cot), as some may loosen as the cot settles. Regularly check all of the connecting bolts, making sure they are tight.
- Regularly check cot for weakness in panels joints and panels. If any weaknesses are found, report immediately to SJC Brands via: www.tasmaneco.com.au
- Do not use cot if it has been damaged in any way and always use genuine Tasman Eco parts. Contact your nearest Tasman Eco stockist or original place of purchase for spare parts

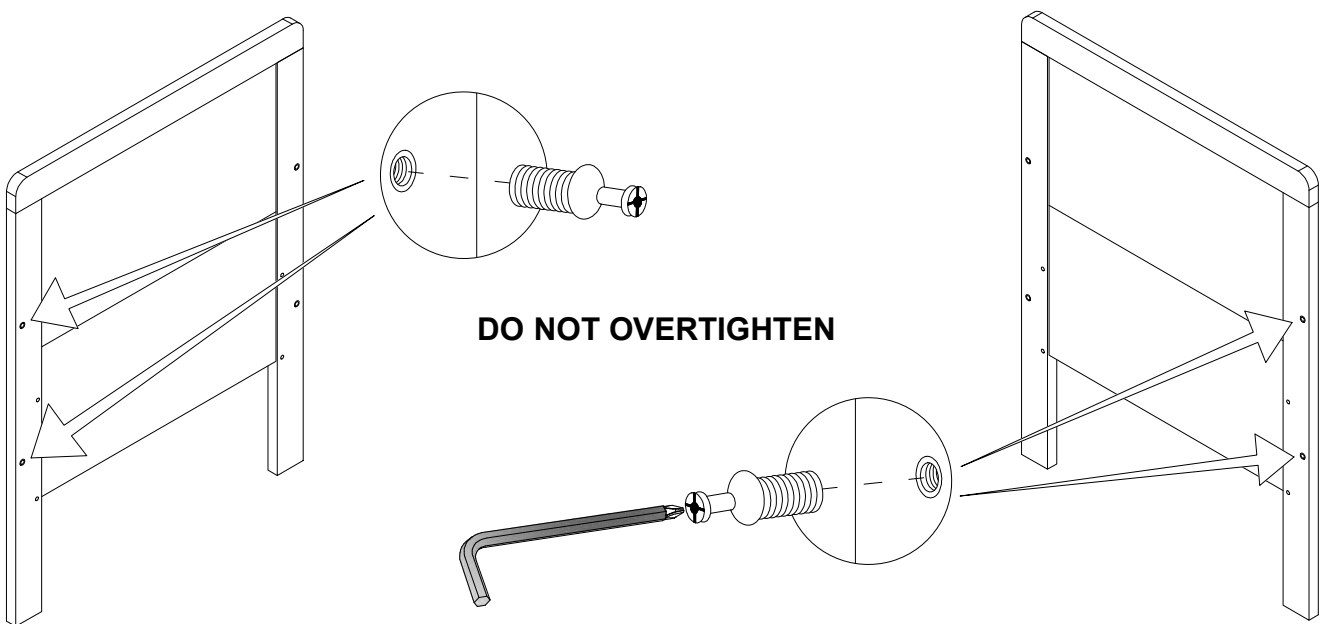
1 Prepare Base

Begin by laying the base frame down on the floor. NOTE: The top of the base is marked "This Side Up" and must be facing DOWNWARDS for this stage of assembly. Insert the metal cross dowels into the four holes in the base. The screw heads must be facing outward so you can use a screwdriver to rotate the dowels, and align the horizontal holes so they can accept the bolts in the next steps.



2 Fit Glide Pins

Fit the glide pins to the four threaded inserts. Tighten firmly using a screwdriver, but do not overtighten.



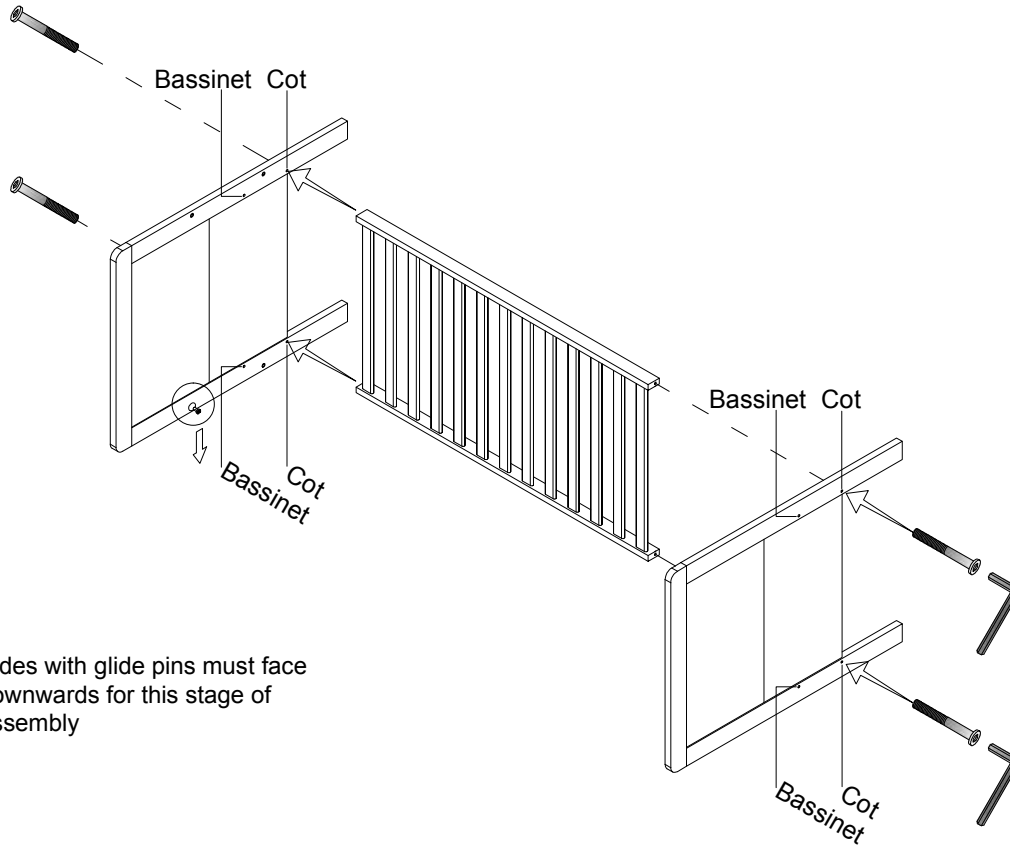
3 Connect Bed Heads To Base



When building the Cot, use locating holes "Cot"
When building the Bassinet, use locating holes "Bassinet"

Connect the base to the left bed head. Ensure the sides of the bed heads with the metal glide pins inserted are facing the correct way for this stage of assembly. Screw the two sections together using 2 bolts, but do not fully tighten.

Now connect the right bed head to the base. Screw the sections together using 2 bolts, but do not fully tighten.

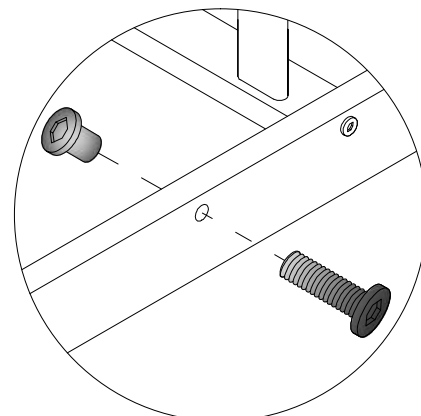


Sides with glide pins must face downwards for this stage of assembly

4 Fit Double Ended Screws To Unused Holes

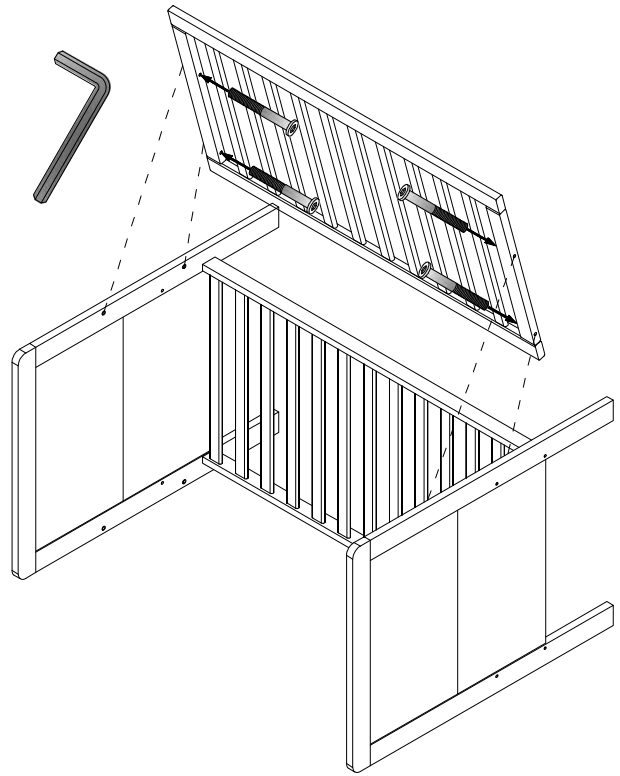


Use the double ended screws to fill the four unused locating holes—one in each corner of the cot. This is required to prevent the entry of small fingers into these holes.



5 Connect The Rear (Fixed) Panel

Connect the rear (fixed) panel to the bed heads using 2 bolts on either side. Screw the sections together but do not fully tighten at this time.



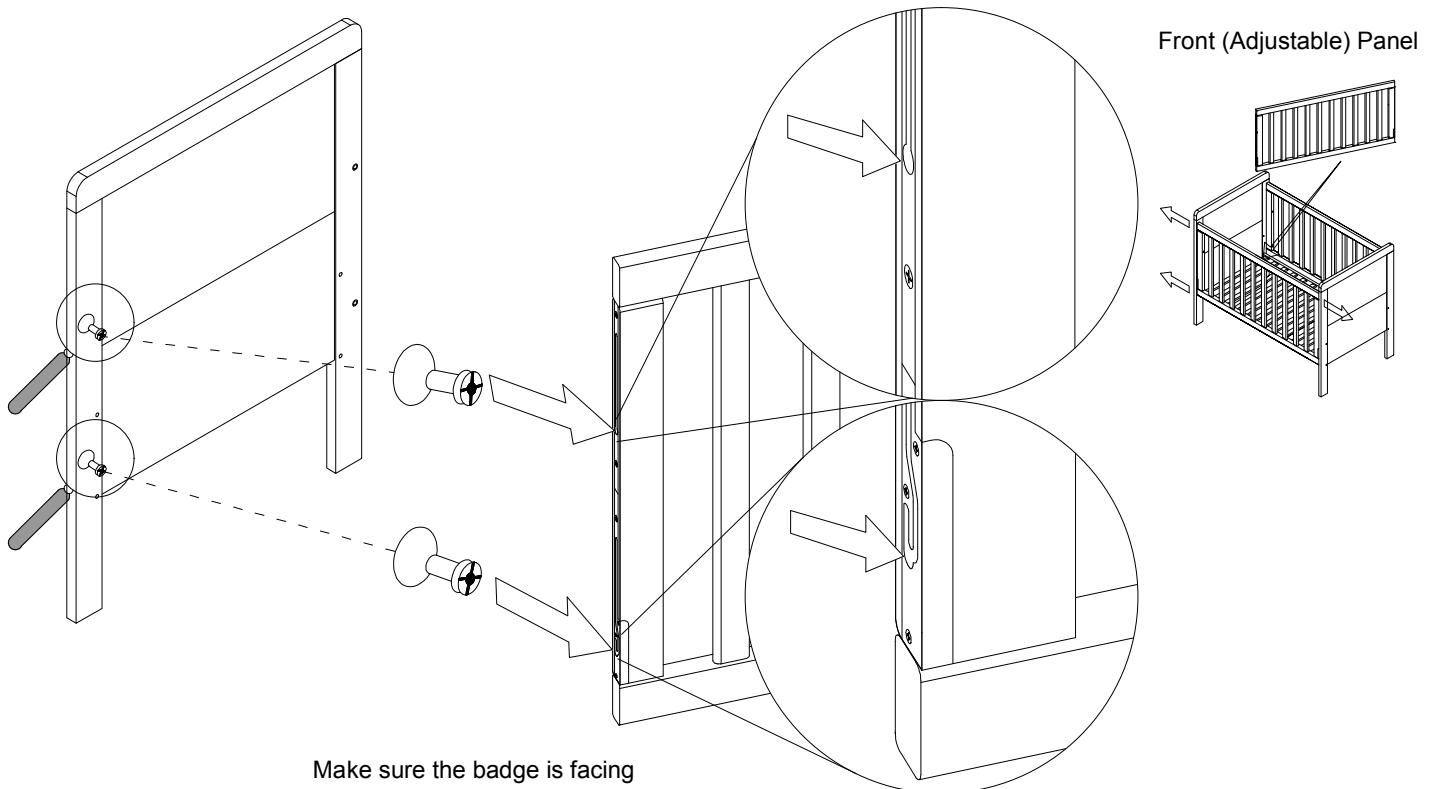
With these sections now assembled, carefully lift up and stand the cot on its legs.

6 Connect The Front Adjustable Panel

Insert the front (adjustable) panel between the left and right bed heads.

NOTE: It is best to have assistance at this stage to avoid damaging the side frames when inserting the glide pins into the guide channels. The bed head frames will need to be spread apart slightly so the glide pins do not damage the timber. If required, untighten the connector bolts holding the frames together.

Push the upper glide pins into the top of the guide channels on the bed head frames, then slide the front panel down slightly on either side. Once the top glide pins are in place, slide the bottom glide pins into the bottom guide channels.

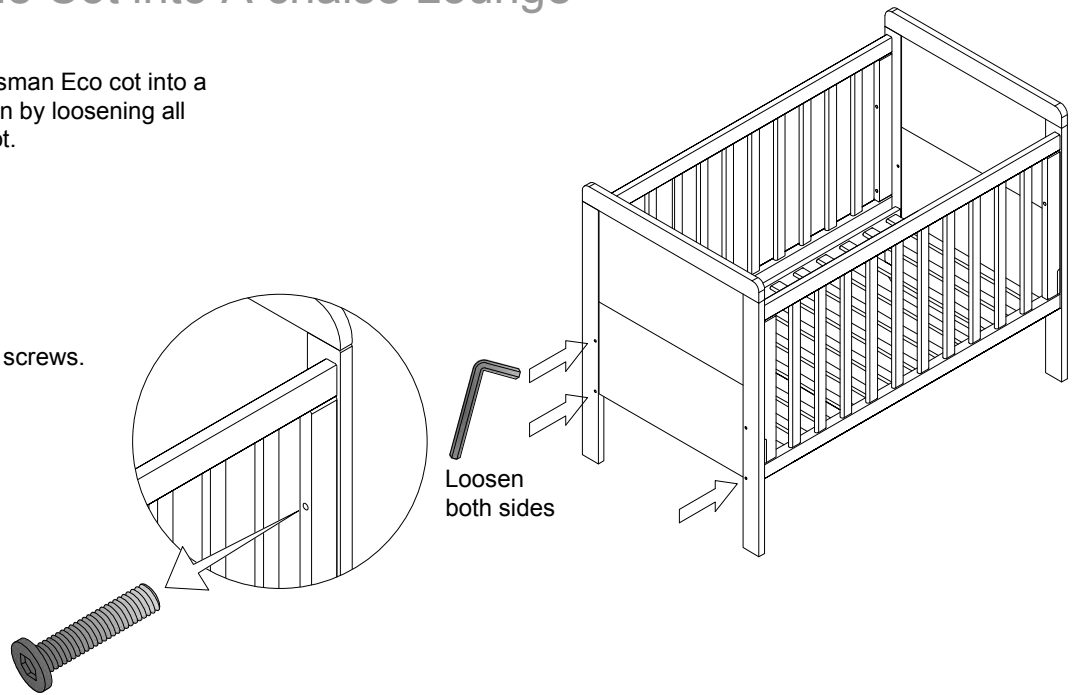


Make sure the badge is facing the front of the panel

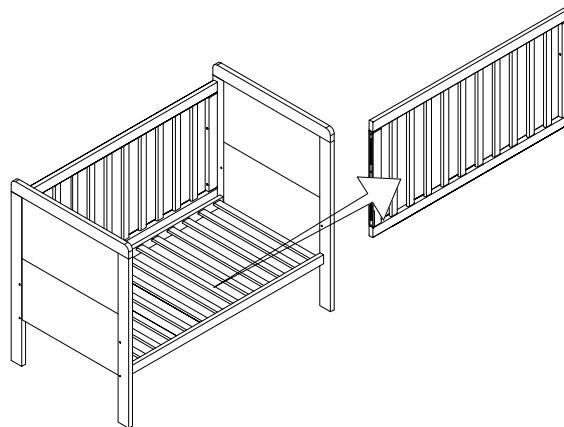
Converting The Cot Into A chaise Lounge

- 1 To convert your Tasman Eco cot into a chaise lounge, begin by loosening all bolts around the cot.

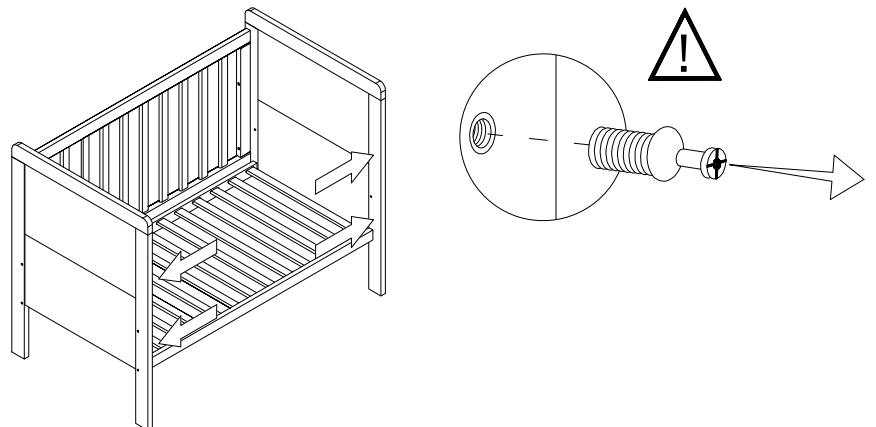
- 2 Remove the guard screws.



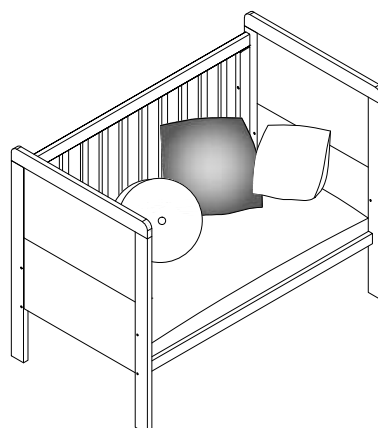
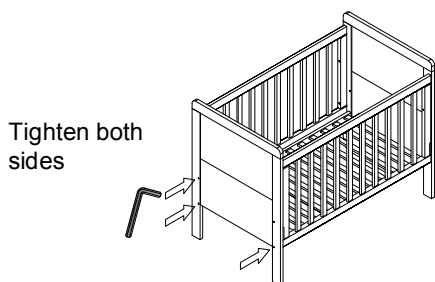
- 3 Remove the adjustable front panel from the bed head frames.



- 4 Remove the glide pins from the bed head frames. (Store these parts in a safe place).



- 5 Retighten the bolts. (Do not overtighten).



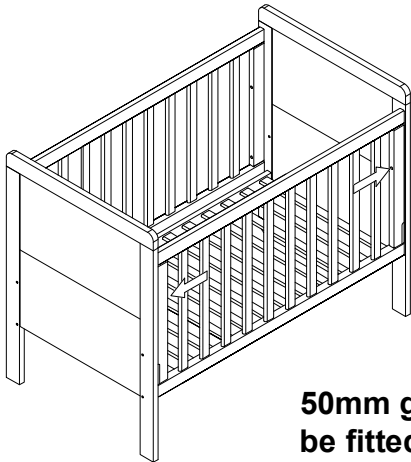
Place a throw rug over the mattress, add a few colourful pillows and your child has their very own chaise lounge where they can read, rest or play.

7 Fit The Guard Screws

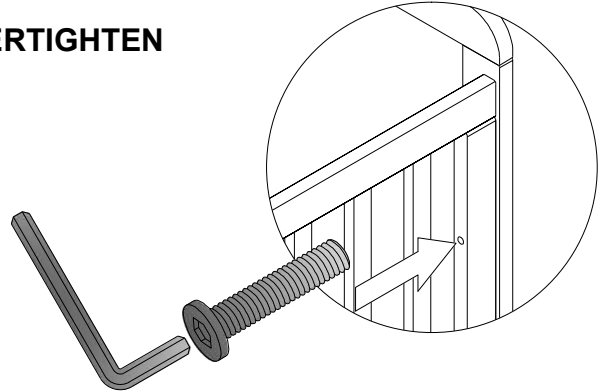


The guard screws must be installed to prevent damage to the timber frames

IMPORTANT: The guide channels (both sides) must now be secured using the 2 guard screws. The guard screws prevent damage being caused to the side frames by preventing the front adjustable panel from being accidentally removed or dislodged from the bed head frames. This is also an important safety feature.



DO NOT OVERTIGHTEN

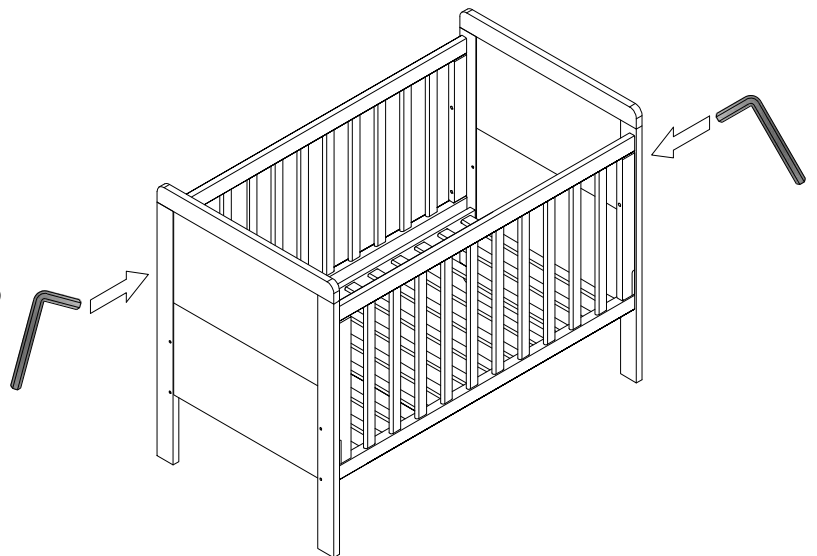


50mm guard screws must be fitted to both sides

8 Tighten All Bolts

Tighten all connecting bolts.
Do not overtighten or you may damage the timber

Tighten both sides but do not overtighten



Assembly is now complete

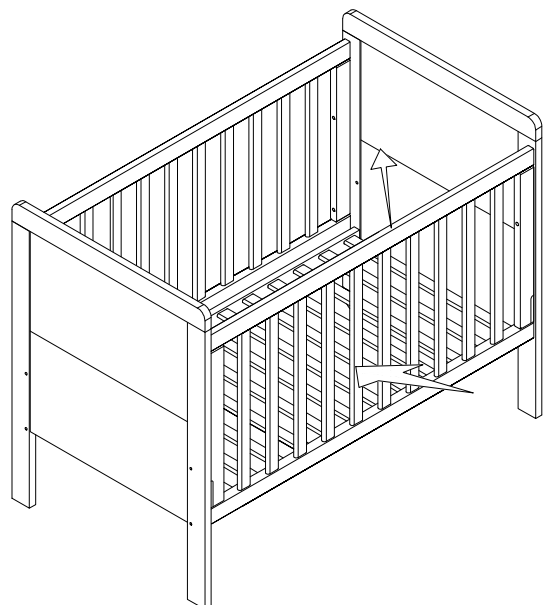
Lowering And Raising The Adjustable Panel

You can lower the front panel with only one hand. First lift it slightly, then while the panel is raised, push the bottom of the panel inwards with the side of your leg. Now slowly lower the panel.

To raise the side, simply lift it up with both hands until you hear it click. The springs will automatically lock back into place.

Maintaining Your Tasman Eco Cot

To clean, wipe down with a soft cloth and soapy water. Avoid scourers and steel wool as these will damage the finish. Two months after assembling the cot, re-tighten all connector bolts as some may loosen as the cot settles.



Our goods come with guarantees that cannot be excluded under the Australian Consumer Law. You are entitled to a replacement or refund for a major failure and for compensation for any other reasonably foreseeable loss or damage. You are also entitled to have the goods repaired or replaced if the goods fail to be of acceptable quality and the failure does not amount to a major failure. The guarantee described below is in addition to the guarantee provided by law.

2 YEAR MATERIALS AND WORKMANSHIP GUARANTEE

If within 2 years of the date of purchase of this product, there is found any defect in materials or workmanship of this product, SJC Brands Pty Ltd will replace the product free of charge, subject to the condition below:

The replacement product will be identical to the originally purchase product wherever possible, though in situations where the identical model is discontinued or out of stock, then SJC Brands Pty Ltd will replace the product with a model that is functionally equivalent

This Guarantee is made to the purchaser and/or original owner only. For purposes of this Guarantee, the original owner is considered to be the person who first makes use of the product.

Note: In situations where a person purchases this product for the purpose of gifting to another, the recipient is considered to be the original owner.

CONDITIONS:

The 2 Year Material and Workmanship Guarantee will be void and nullified in circumstances where:

1. The item is improperly assembled or adjusted and or not assembled strictly in accordance with the written instructions provided by the seller in the box containing the item.
2. There is damage to the product and that damage is deemed by SJC Brands Pty Ltd to be caused by incorrect assembly, misuse or by use or storage outside of the physical or environmental specifications of the product.
3. There are modifications to the product or to parts of the product that were not authorized in writing by SJC Brands Pty Ltd.
4. The item is transferred, gifted or disposed of by the original owner to another.

WARRANTY CLAIM PROCEDURE:

For warranty claims, please email us via our claims section on our website www.tasmaneco.com.au or visit the store where the product was purchased.

The product must be returned to SJC Brands Pty Ltd or to the place of purchase with proof of purchase, including date and purchase price.

SJC Brands Pty Ltd ABN. 58 106 988 578

4-6 Merryvale Rd , Minto , NSW 2566

PH: 02 9603 5000 FAX: 02 9603 7000

www.tasmaneco.com.au Email:

customer.service@sjcbrands.com.au