

# tasman ECO

## Assembly Instructions: *Venice Chest*



### IMPORTANT

**DO NOT OVER-TIGHTEN SCREWS.**  
Tighten all screws and connectors by hand,  
not power tools.

Read all instructions before assembly and use of product.  
Recommended that two people complete this assembly.  
Save these instructions for future use.

Tasman Eco Pty Ltd  
ABN: 58 106 988 578  
Address: 4-6 Merryvale Road, Minto NSW  
(02) 9603 5000



We use recycled materials for our  
instructions and packaging.

tasmaneco.com.au  
services@tasmaneco.com.au  
@tasmaneco  
(02@ 9603 5000

# tasman ECO

## Safety Considerations - Child

- Follow manufacturer's assembly instructions in detail, ensuring safety features are not compromised.
- ENSURE THE COT IS NOT POSITIONED TOO CLOSE TO HEATERS, BLINDS, CURTAINS, WINDOWS OR POWERPOINTS.
- DO NOT KEEP ITEMS NEARBY WHERE THERE IS DANGER OF THE ITEM FALLING INTO THE COT.
- KEEP ANY MEDICATION, STRING, ELASTICS OR SMALL ITEMS OUT OF REACH OF YOUR COT, PREVENTING THE CHILD REACHING FROM OUT OF THE COT, WITH ANY SUFFOCATION OR STRANGLE RISKS.
- TO PREVENT FALLS, THE BASE OF THE COT SHOULD BE ADJUSTED TO THE LOWEST POSITION BEFORE YOUR CHILD CAN SIT UP.

## Safety Considerations - Cot

- Tighten your connector bolts, at least two months after cot assembly, some may loosen as the cot settles.
- Regularly check your connector bolts, ensuring they are tight, and regularly check the cot for any weakness in the panel joints and panels. If weaknesses are found, report immediately, to Tasman Eco ([services@tasmaneco.com.au](mailto:services@tasmaneco.com.au)).
- Do not use the cot if it has been damaged in any way.
- Always use spare parts direct from Tasman Eco, these can be purchased via the website.

## Cleaning and Care

- For general dusting wipe the cot with dry soft cloth
- To remove spills, dirt or anything your baby throws at you use warm soapy water
- Avoid using a scourer/steel wool, these damage the finish
- Always dry the cot after cleaning

# tasman ECO

## Hardware List

Handle x 6



M4 x 20mm Bolt x 6



Cam Lock x 28



Locking Pins x 28



M6 x 60mm Bolt x 12



M6 x 35mm Bolt x 8



Allen Key x 1



Wall Strap x 1



M4 x 25mm Self-Tapping Screw x 2



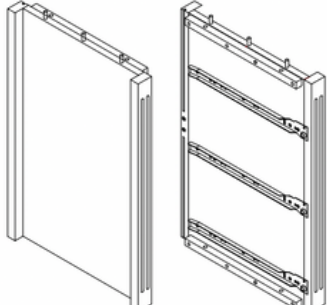
### WARNING

Small parts can present as a choking hazard. Always keep small parts out of the way of children, during and after assembly. Store unused small parts in a safe place.

# tasman ECO

## Parts List

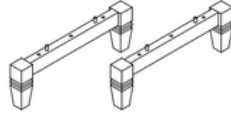
Frame Side Panel x 2



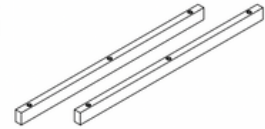
Back Rail x 1



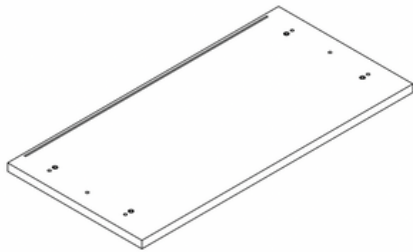
Legs x 2



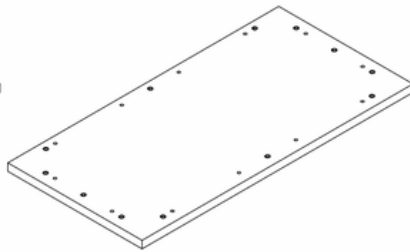
Front + Back  
Bottom Rail x 2



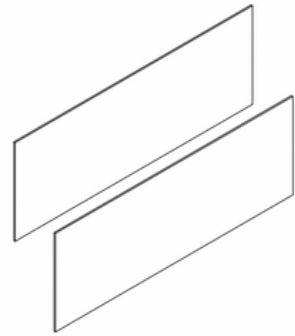
Top Board x 1



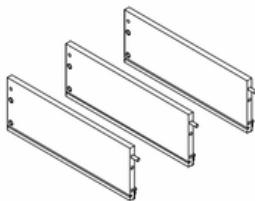
Bottom Base x 1



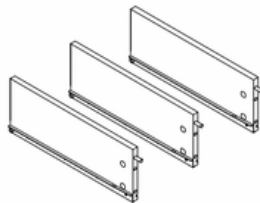
Back Panel x 2



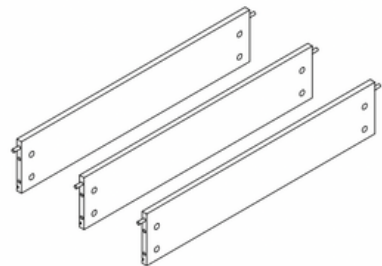
Drawer Side Panel (R) x 3



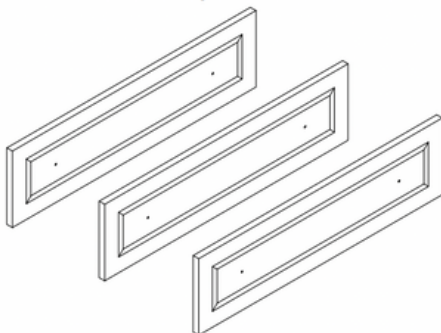
Drawer Side Panel (L) x 3



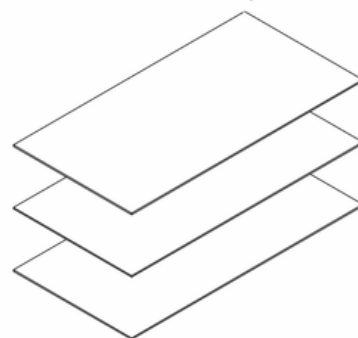
Drawer Back Panel x 2



Drawer Front Panel x 3



Drawer Base Panel x 3



# tasman ECO

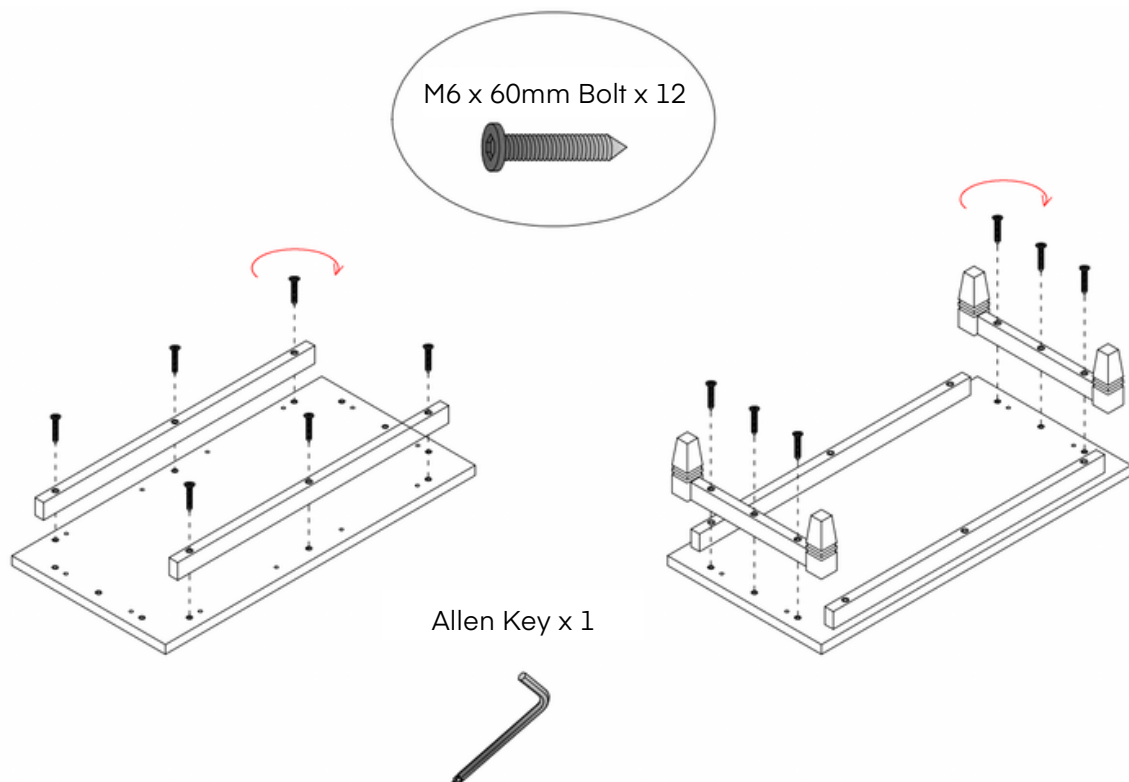
## Assembly:

STEP 1: Take your 2 x frame side panels, lay flat and screw your 4 x locking pins into holes shown below. Tighten with your allen key.



STEP 2: Fit your front and back bottom rails to the bottom base, using the M6 x 60mm Bolts, using your Allen Key.

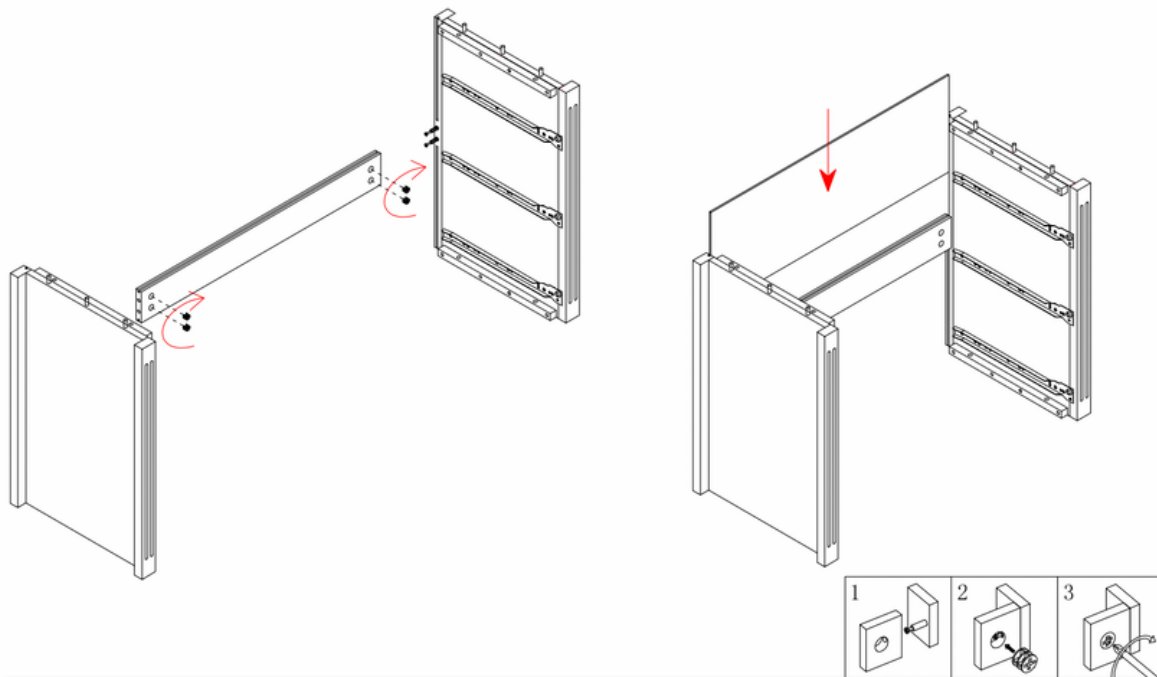
With your M6 x 60mm bolts, secure your chest's legs, also using the Allen Key.



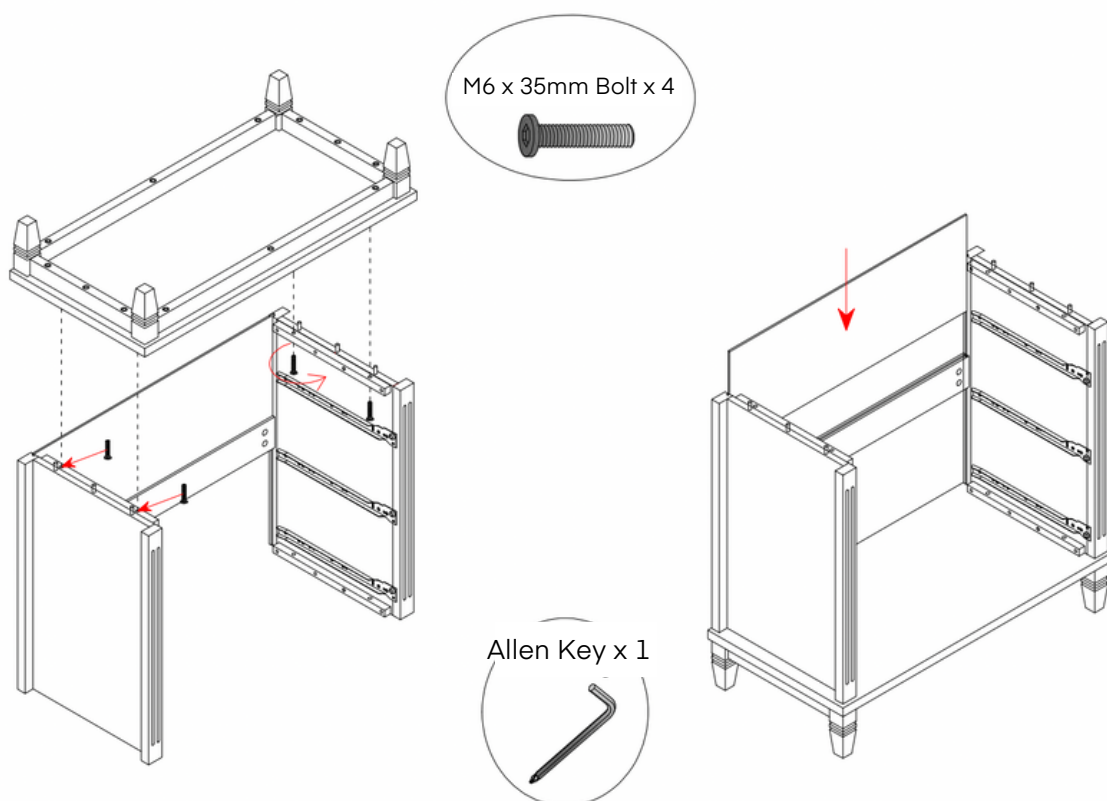
# tasman ECO

## Assembly:

STEP 3: Take the back rail and connect it to the 2 x frame side panels, using your camlocks. Then, insert 1 x back panel sliding this into the opening on the 2 x side panels and back rail.



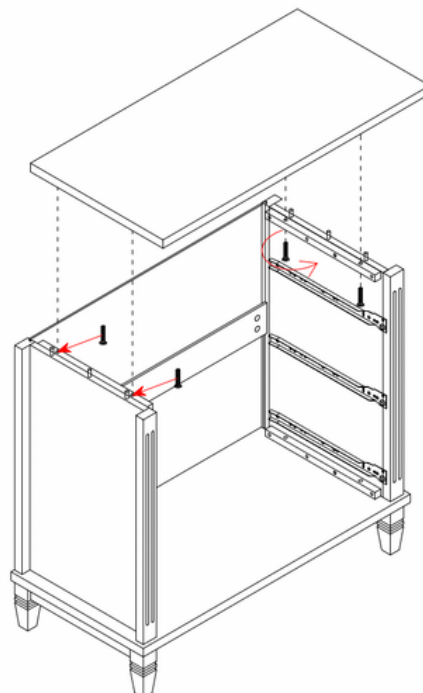
STEP 4: Fit the bottom base of the chest onto the two side panels, using your M6 x 35mm bolts. Carefully, flip your chest the right way round, and insert the rest of the back panel, in the same way did in the previous step.



# tasman ECO

## Assembly:

STEP 5: With your chest now the right way up, place the top board onto the chest frame, using M6 x 35mm bolts. Use your Allen Key to secure bolts and do not over-tighten.



M6 x 35mm Bolt x 4



Allen Key x 1



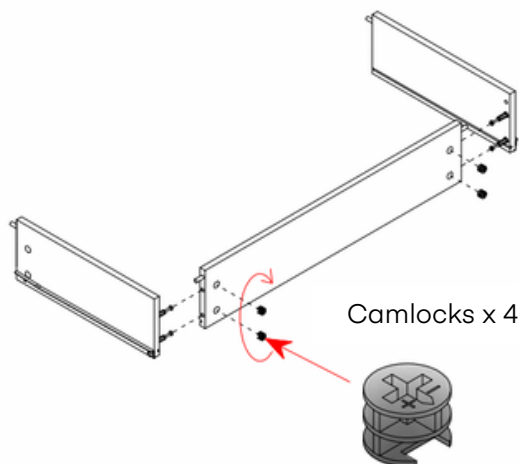
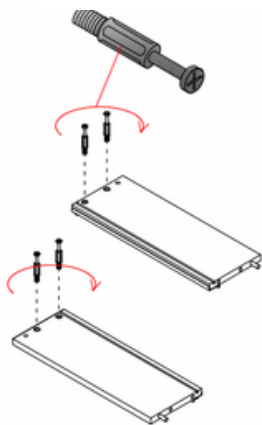
STEP 6: Follow the below set of images, from left to right.

Begin by fitting the locking pins to the drawer side panels.

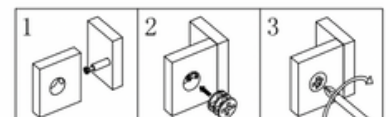
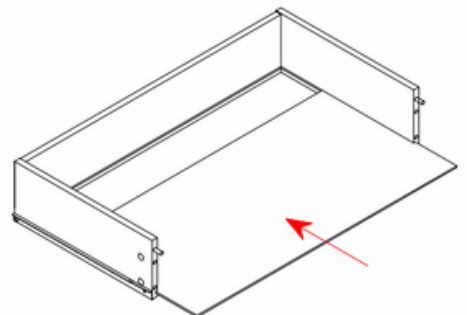
Following picture 2, fit the camlocks to the rear of the drawer panels.

Following picture 3, insert the draw base between the gaps of the draw side panels.

Locking Pins x 4



Camlocks x 4



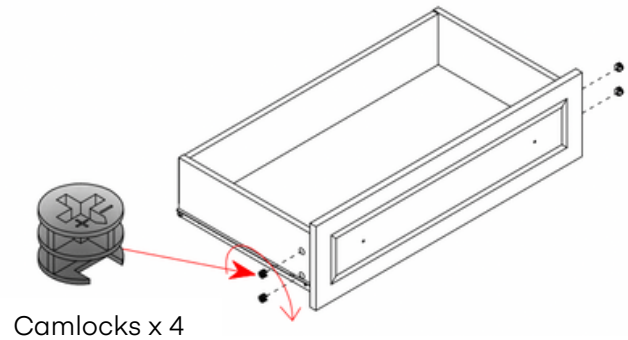
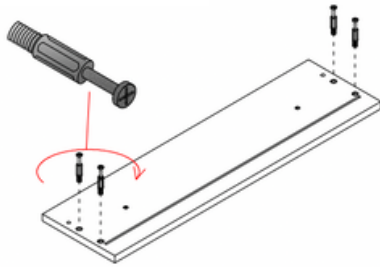


# tasman ECO

## Assembly:

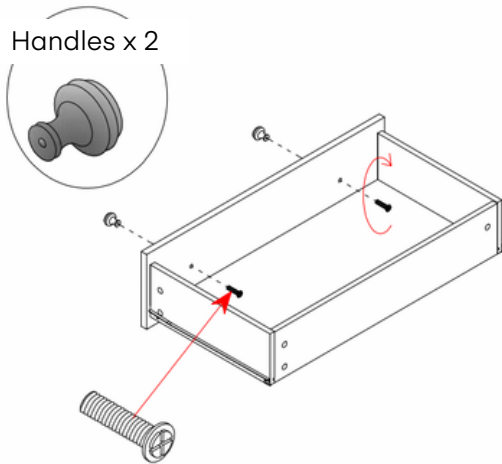
STEP 7: Now to prepare the front of the drawers. Fit your locking pins into place, and then align the front of the drawer to the drawer itself using your camlocks. Repeat this step for all 3 drawers.

Locking Pins x 4

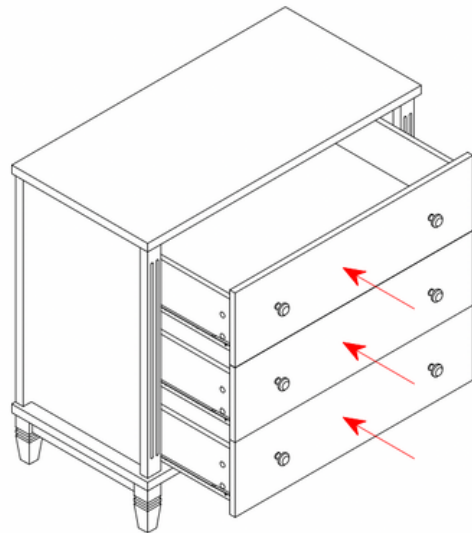


STEP 8: Position the drawer handles correctly, and screw them into place from the behind the drawer front, using M4 x 20mm Bolts. Insert your 3 x built drawers into the chest frame and your chest is now complete.

Handles x 2



M4 x 20mm Bolt x 2





# tasman ECO

## WALL STRAP INSTALLATION

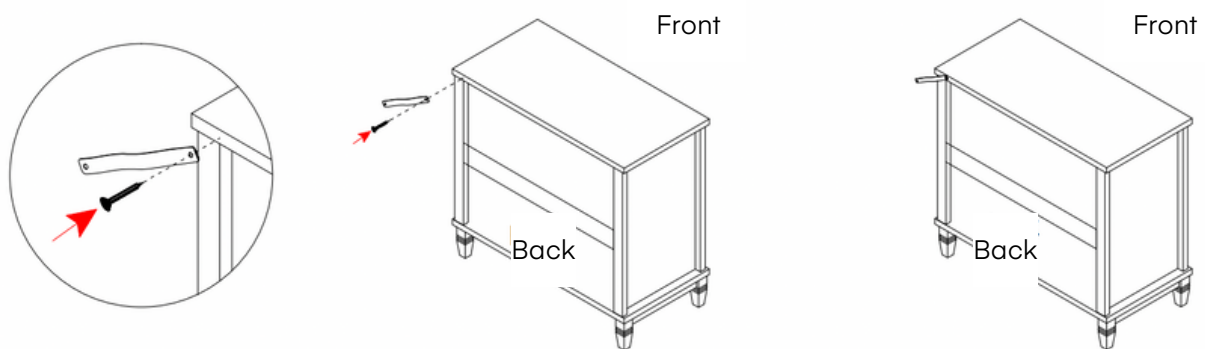
Self Tapping Screw x 2



Wall Strap x 1

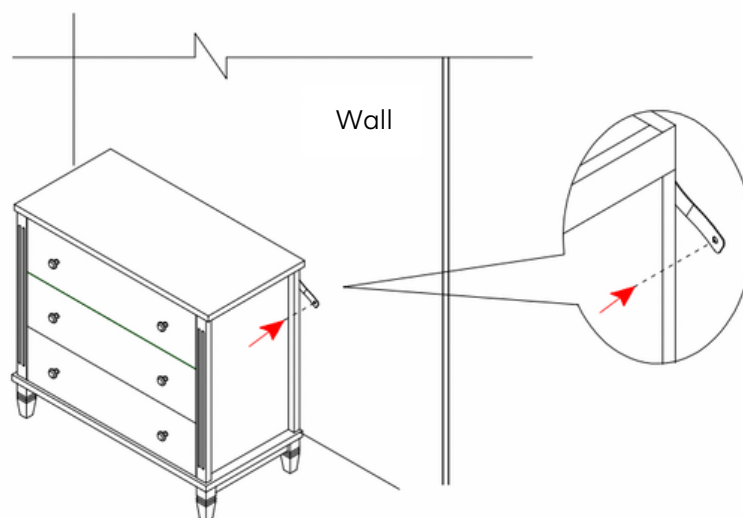


STEP 1: Screw the wall strap to the back of the chest, using the self tapping screws.



STEP 2: Once the wall strap is attached to the back of the chest, position the strap 100mm the left of its intended final position, to give you room before attaching to the wall.

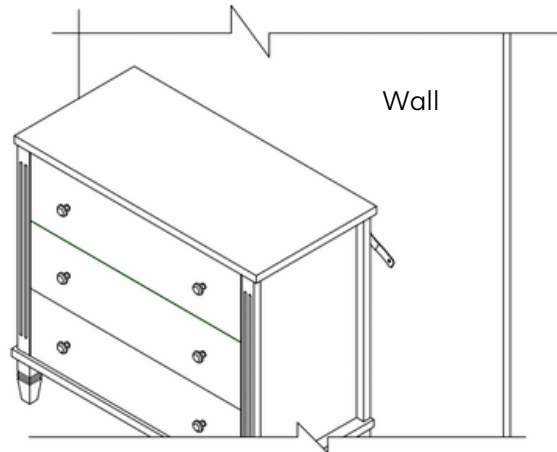
**NB: The wall fixing is not supplied, seek advice from your local hardware supplier to ensure you purchase the correct wall fixing in which the wall strap can attach to.**



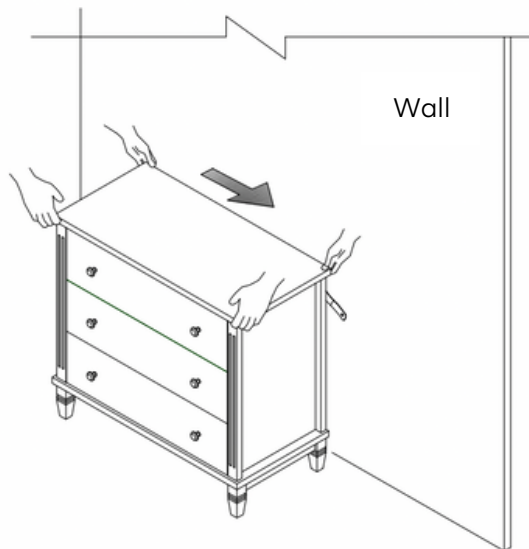
# tasman ECO

## WALL STRAP INSTALLATION

STEP 3: Ensure the wall strap is fixed to the wall securely.



STEP 4: Once STEP 3 has been completed, you can reposition the chest in its intended position in your space. You may need 2 people for this step.



# tasman ECO

## Product Guarantee

Our goods come with guarantees that cannot be excluded under the Australian Consumer Law. You are entitled to a replacement or refund for a major failure and for compensation of any other foreseeable loss or damage. You are also entitled to have the goods repaired or replaced if the goods fail to be of acceptable quality and the failure does not amount to a major failure.

### **2 YEAR MATERIALS AND WORKMANSHIP GUARANTEE**

If within 2 years of the date of purchase of this product, there is found any defect in materials or workmanship of this product, Tasman Eco Pty Ltd will replace the product free of charge, subject to the condition below:

The replacement product will be identical to the originally purchased product where possible, though in situations where the identical model is discontinued or out of stock, then Tasman Eco Pty Ltd will replace the product with a model that is functionally equivalent.

This guarantee is made to the purchaser and/or original owner only. For purposes of this guarantee, the original owner is considered to be the person who first makes use of the product.

Note: In situations where an individual purchases this product for the purpose of gifting to another, the recipient is considered to be the original owner.

### **CONDITIONS**

The 2 year Material and Workmanship Guarantee will be void and nullified in circumstances where:

1. The item is improperly assembled or adjusted and/or not assembled strictly in accordance with the written instructions provided by the seller in the box containing the item.
2. There is damage to the product and that damage is deemed by Tasman Eco Pty Ltd to be caused by incorrect assembly, misuse or by use or storage outside of the physical or environmental specifications of the product.
3. There are modifications to the product or to parts of the product that were not authorised in writing by Tasman Eco Pty Ltd.
4. The item is transferred, gifted or disposed of by the original owner to another.

### **REGISTRATION AND CLAIM**

To be eligible for the above guarantee, the original owner must register their details online at [www.tasmaneco.com.au](http://www.tasmaneco.com.au) immediately upon receipt of the product. The product must be returned to Tasman Eco Pty Ltd or to the place of purchase with proof of purchase, including date and purchase price.