

tasman ECO

Assembly Instructions: *Venice Cot*



IMPORTANT

DO NOT OVER-TIGHTEN SCREWS.
Tighten all screws and connectors by hand,
not power tools.

Read all instructions before assembly and use of product.
Recommended that two people complete this assembly.
Save these instructions for future use.



tasman ECO

Safety Considerations - Child

- Follow manufacturer's assembly instructions in detail, ensuring safety features are not compromised.
- ENSURE THE COT IS NOT POSITIONED TOO CLOSE TO HEATERS, BLINDS, CURTAINS, WINDOWS OR POWERPOINTS.
- DO NOT KEEP ITEMS NEARBY WHERE THERE IS DANGER OF THE ITEM FALLING INTO THE COT.
- KEEP ANY MEDICATION, STRING, ELASTICS OR SMALL ITEMS OUT OF REACH OF YOUR COT, PREVENTING THE CHILD REACHING FROM OUT OF THE COT, WITH ANY SUFFOCATION OR STRANGLE RISKS.
- TO PREVENT FALLS, THE BASE OF THE COT SHOULD BE ADJUSTED TO THE LOWEST POSITION BEFORE YOUR CHILD CAN SIT UP.

Safety Considerations - Cot

- Tighten your connector bolts, at least two months after cot assembly, some may loosen as the cot settles.
- Regularly check your connector bolts, ensuring they are tight, and regularly check the cot for any weakness in the panel joints and panels. If weaknesses are found, report immediately, to Tasman Eco (services@tasmaneco.com.au).
- Do not use the cot if it has been damaged in any way.
- Always use spare parts direct from Tasman Eco, these can be purchased via the website.

Recommended Mattress Size

- This cot is manufactured to use with a mattress sized 750mm (W) x 1310mm (L) x 120mm (H).
- It is important that the gaps between the mattress, sides and end of the cot do not exceed 40mm when the mattress is pushed to one side and it should not exceed 20mm when the mattress is centred in the cot. This minimises the risk of a child's limb becoming caught in a gap.
- Mattress thickness specified ensures the depth of the cot is greater than 500mm with the mattress base in the lower position, minimising the risk of a child climbing and falling from the cot.

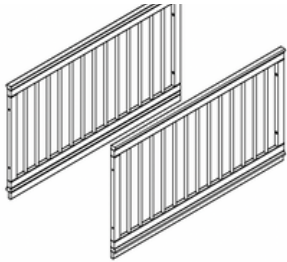
Cleaning and Care

- For general dusting wipe the cot with dry soft cloth
- To remove spills, dirt or anything your baby throws at you use warm soapy water
- Avoid using a scourer/steel wool, these damage the finish
- Always dry the cot after cleaning

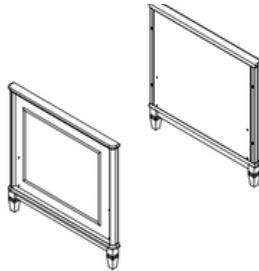
tasman ECO

Parts List

Cot Sides x 2



Headboards x 2



Cot Base x 1



Hardware List

M6 x 60mm Bolt x 12



M6 x 15mm Bolt x 4



Double Ended Screw x 4



Allen Key x 2



Metal Cross Dowels x 4



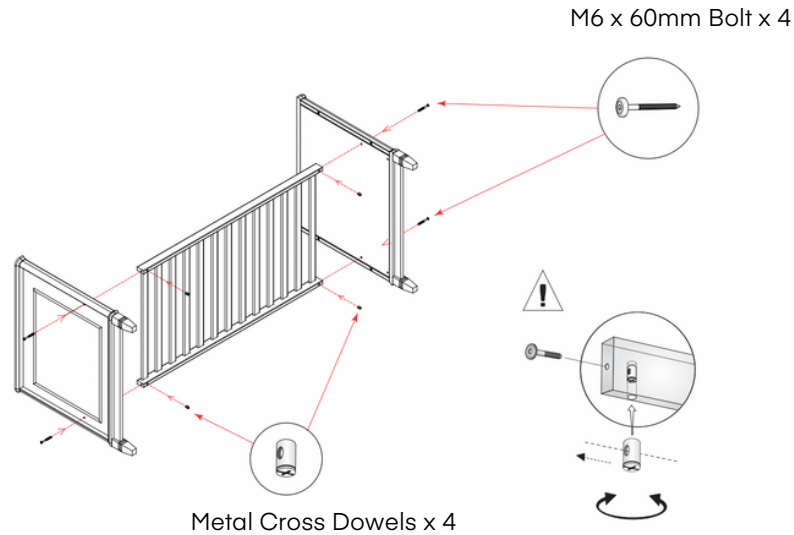
WARNING

Small parts can present as a choking hazard. Always keep small parts out of the way of children, during and after assembly. Store unused small parts in a safe place.

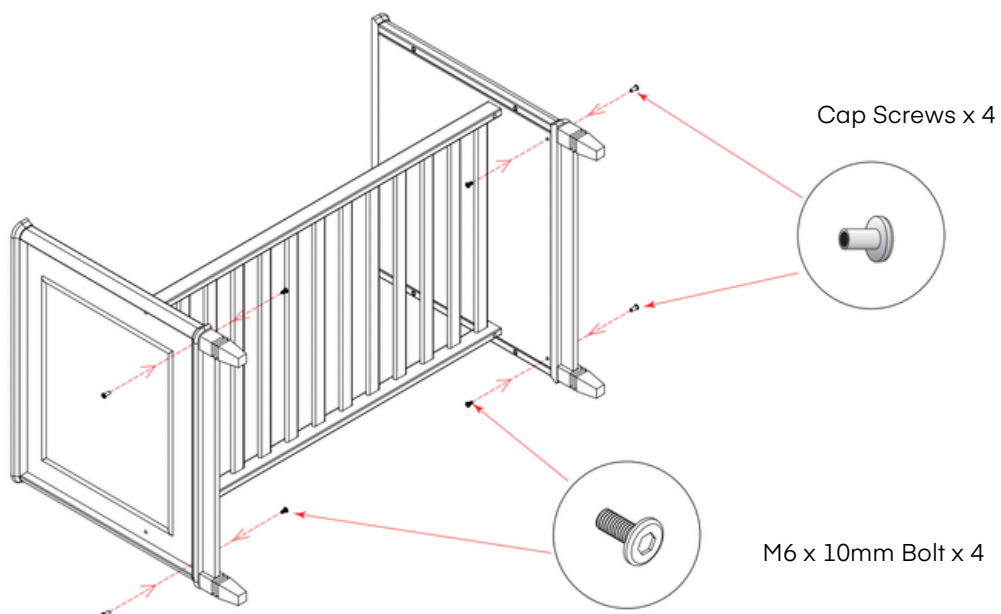
tasman ECO

Assembly: COT BASE AND HEADBOARDS

STEP 1: This is easier done by assembling the cot on its side. There are two levels for your cot base, bassinet height and cot height. The process is the same for both. Using 4 x M6 x 60mm bolts and 4 x metal cross dowels, loosely screw (you will tighten later) in the base at either the bassinet or cot height.



STEP 2: Use 4 x M6 x 10mm and cap screws for the unused holes (if you put the base at cot level you would use these to seal the bassinet level holes). This is done to prevent risk to your baby.



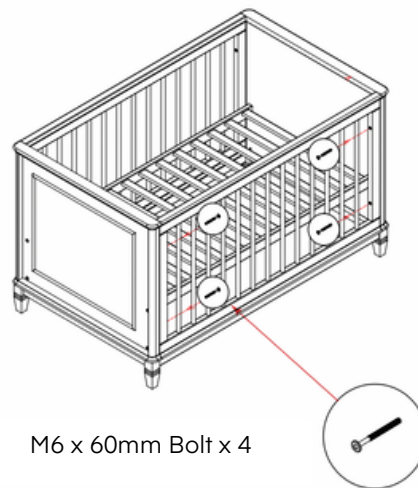
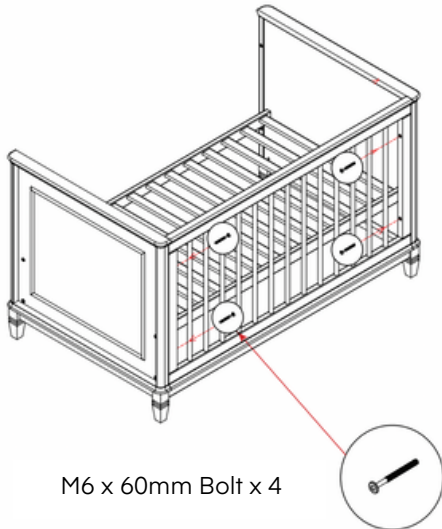
tasman ECO

Assembly: ATTACHING THE COT SIDES

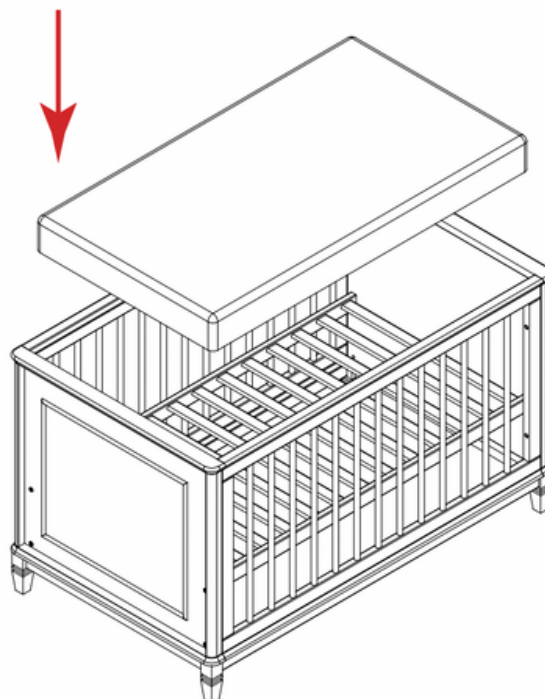
Before proceeding to STEP 3, carefully turn the cot upright. You may need help to do this. Do not turn the cot from one headboard or one side as you run the risk of breaking the timber from the weight on the screws.

STEP 3: Put the first cot side in place, if you find that it is difficult to get it between the headboards you may need to loosen the base screws from STEP 1.

Attach the cot side using 4 x M6 x 60mm bolts. Repeat this for the other cot side.



STEP 4: Now, go back and tighten all the screws. You want to do this to hand pressure and not over tighten them. Your cot is now ready for use.



tasman ECO

YOU'VE GOT A CONVERSION COT!

You've purchased a Tasman Eco conversion cot, a cot that grows with you and your family, a piece that will be with your little one for their early years.

This cot that you're building can convert from bassinet height, to cot height and then to a toddler bed.

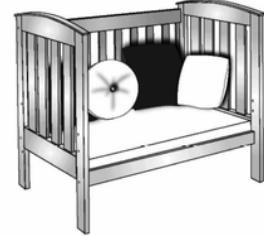
Converting your cot is easy. Check out the drawings below, plus some tips and tricks to note when converting your cot.



Bassinet Height



Cot Height



Toddler Bed

From Bassinet to Cot Height

- Tilt your cot to its side and simply loosen all of the fixed side panels, which will allow for some movement.
- When all 4 sides are loose, remove each of the screws from the base and bring the base down to the cot base height.
- Re-insert and screw the screws back in.
- Once your screws have been put back into the fixed sides (by hand), bring the cot back up to standing position. If you find it easier to adjust the base height with the cot upright, this is also okay.

From Cot Height to Toddler Bed

- To convert your Venice Cot to a toddler bed, simply remove one of your cot fixed sides and insert the cap screws provided.

tasman ECO

Product Guarantee

Our goods come with guarantees that cannot be excluded under the Australian Consumer Law. You are entitled to a replacement or refund for a major failure and for compensation of any other foreseeable loss or damage. You are also entitled to have the goods repaired or replaced if the goods fail to be of acceptable quality and the failure does not amount to a major failure.

2 YEAR MATERIALS AND WORKMANSHIP GUARANTEE

If within 2 years of the date of purchase of this product, there is found any defect in materials or workmanship of this product, Tasman Eco Pty Ltd will replace the product free of charge, subject to the condition below:

The replacement product will be identical to the originally purchased product where possible, though in situations where the identical model is discontinued or out of stock, then Tasman Eco Pty Ltd will replace the product with a model that is functionally equivalent.

This guarantee is made to the purchaser and/or original owner only. For purposes of this guarantee, the original owner is considered to be the person who first makes use of the product.

Note: In situations where an individual purchases this product for the purpose of gifting to another, the recipient is considered to be the original owner.

CONDITIONS

The 2 year Material and Workmanship Guarantee will be void and nullified in circumstances where:

1. The item is improperly assembled or adjusted and/or not assembled strictly in accordance with the written instructions provided by the seller in the box containing the item.
2. There is damage to the product and that damage is deemed by Tasman Eco Pty Ltd to be caused by incorrect assembly, misuse or by use or storage outside of the physical or environmental specifications of the product.
3. There are modifications to the product or to parts of the product that were not authorised in writing by Tasman Eco Pty Ltd.
4. The item is transferred, gifted or disposed of by the original owner to another.

REGISTRATION AND CLAIM

To be eligible for the above guarantee, the original owner must register their details online at www.tasmaneco.com.au immediately upon receipt of the product. The product must be returned to Tasman Eco Pty Ltd or to the place of purchase with proof of purchase, including date and purchase price.