

tasman **ECO**

Assembly Instructions: *Willow Chest*



IMPORTANT

DO NOT OVER-TIGHTEN SCREWS.
Tighten all screws and connectors by hand,
not power tools.

Read all instructions before assembly and use of product.
Recommended that two people complete this assembly.
Save these instructions for future use.



tasman ECO

Safety Considerations - Child

- Follow manufacturer's assembly instructions in detail, ensuring safety features are not compromised.
- ENSURE THE CHEST IS NOT POSITIONED TOO CLOSE TO HEATERS, BLINDS, CURTAINS, WINDOWS OR POWERPOINTS.
- DO NOT KEEP ITEMS NEARBY WHERE THERE IS DANGER OF THE ITEM FALLING INTO THE CHEST.
- KEEP ANY MEDICATION, STRING, ELASTICS OR SMALL ITEMS OUT OF REACH OF YOUR CHEST, PREVENTING THE CHILD REACHING FROM OFF THE CHEST, WITH ANY SUFFOCATION OR STRANGLE RISKS.
- TO PREVENT FALLS, THE BASE OF THE COT SHOULD BE ADJUSTED TO THE LOWEST POSITION BEFORE YOUR CHILD CAN SIT UP.

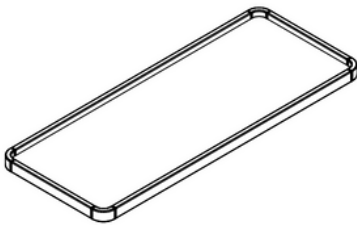
Cleaning and Care

- For general dusting wipe the cot with dry soft cloth
- To remove spills, dirt or anything your baby throws at you use warm soapy water
- Avoid using a scourer/steel wool, these damage the finish
- Always dry the cot after cleaning

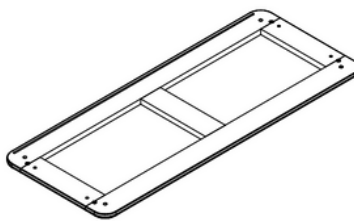
tasman ECO

Parts List

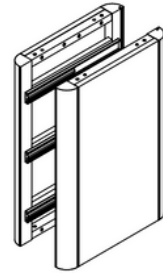
Chest Top x 1



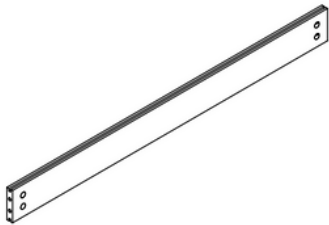
Chest Bottom x 1



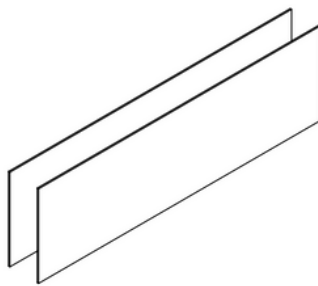
Chest Side Panels x 2



Rear Support Bar x 1



Back Panels x 2



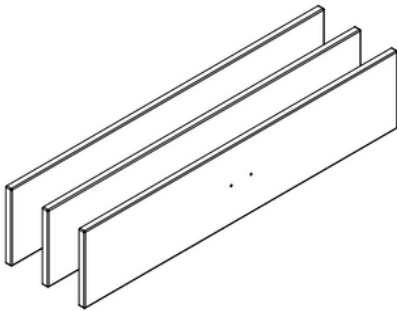
Chest Legs
x 4



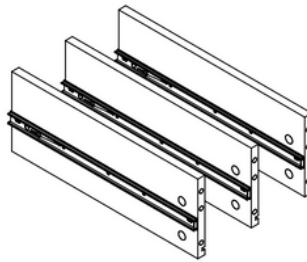
Drawer Handles x 3



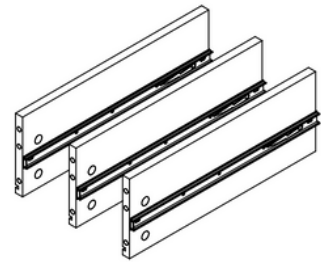
Front Drawer Panel x 3



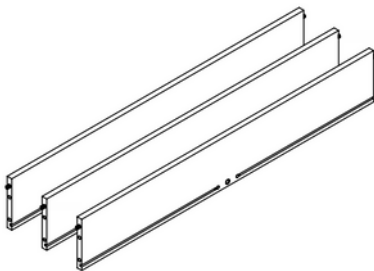
Left Drawer Side x 3



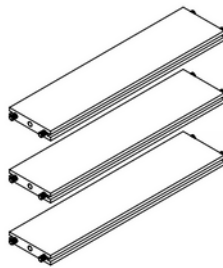
Right Drawer Side x 3



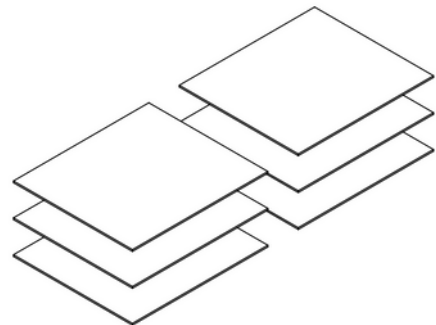
Back Drawer Panel x 3



Middle Drawer Support x 3



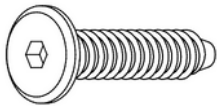
Bottom Drawer Surface x 6



tasman ECO

Hardware List

M6 x 35mm Bolts x8



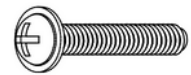
Locking Pins x 34



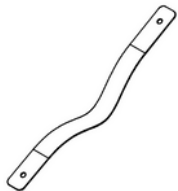
Cam Locks x34



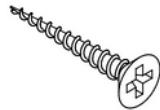
M4 x 30mm Bolts x 6



Wall Strap x1



25mm Self Tapping
Screw x 2



Allen Key x1



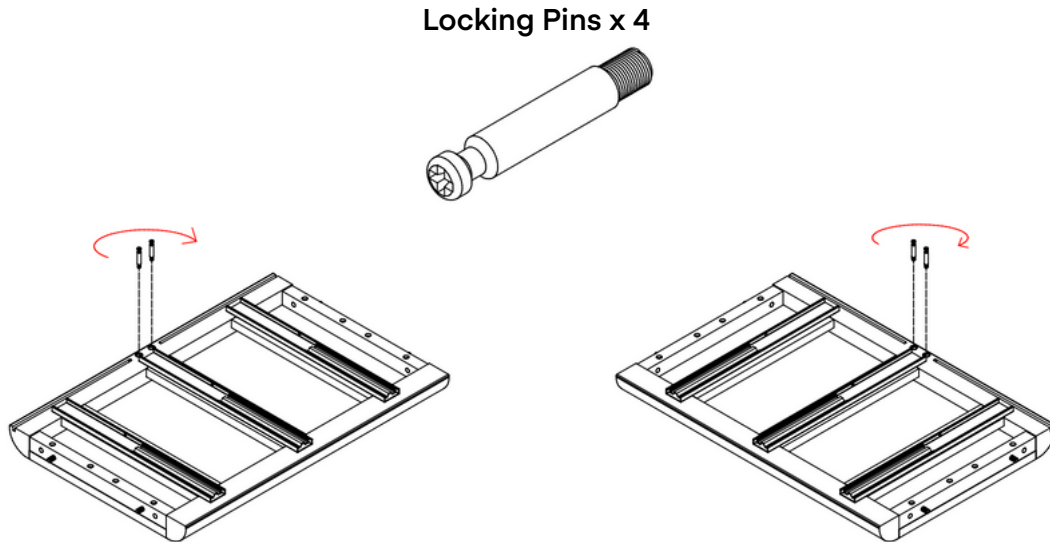
WARNING

Small parts can present as a choking hazard. Always keep small parts out of the way of children, during and after assembly. Store unused small parts in a safe place.

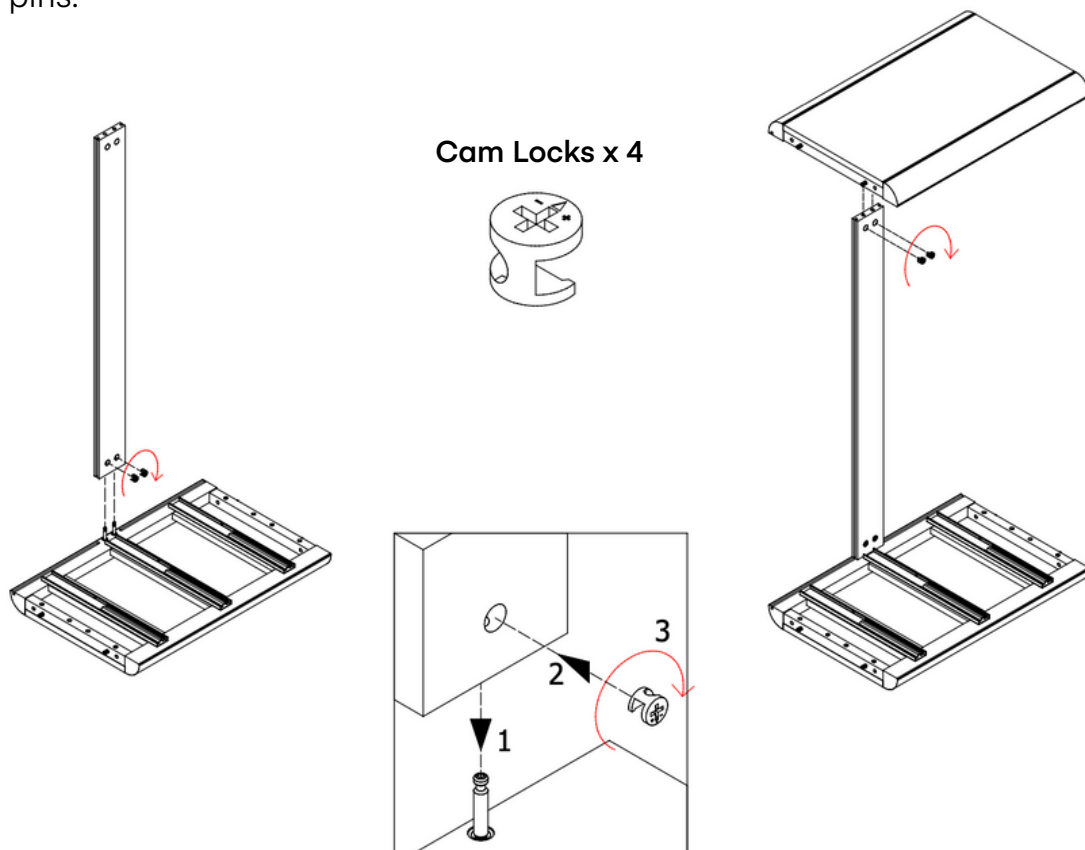
tasman ECO

Assembly

STEP 1: Screw 2 locking pins into each of the chest side panels, as pictured below.



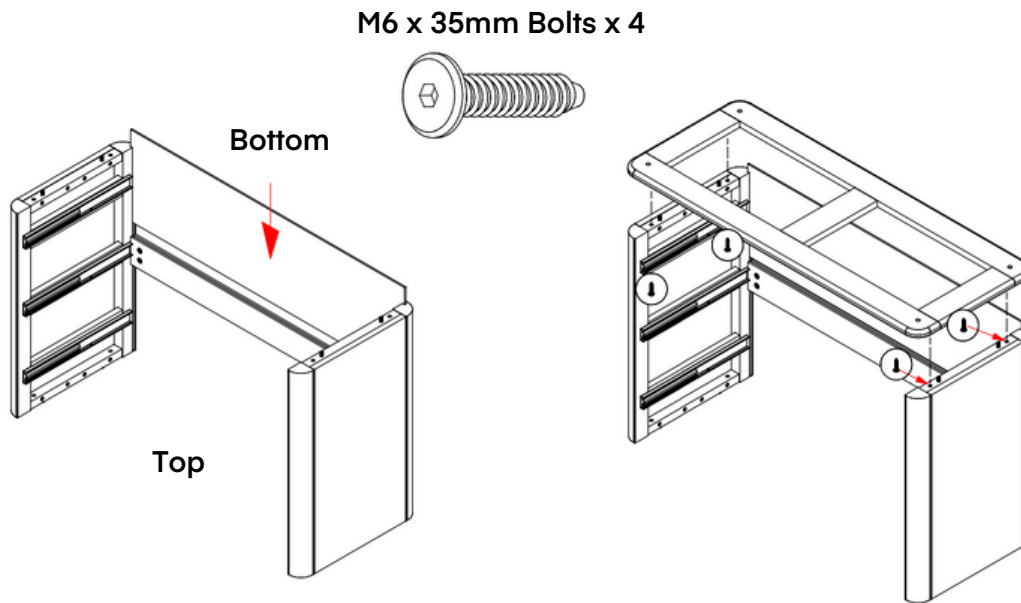
STEP 2: Use the rear support bar to connect the 2 x chest side panels together. You will use 4 x cam locks to lock everything in place. Refer to the image below. With the cam locks, ensure you line the arrow up with the hole, it will 'catch' the locking pins.



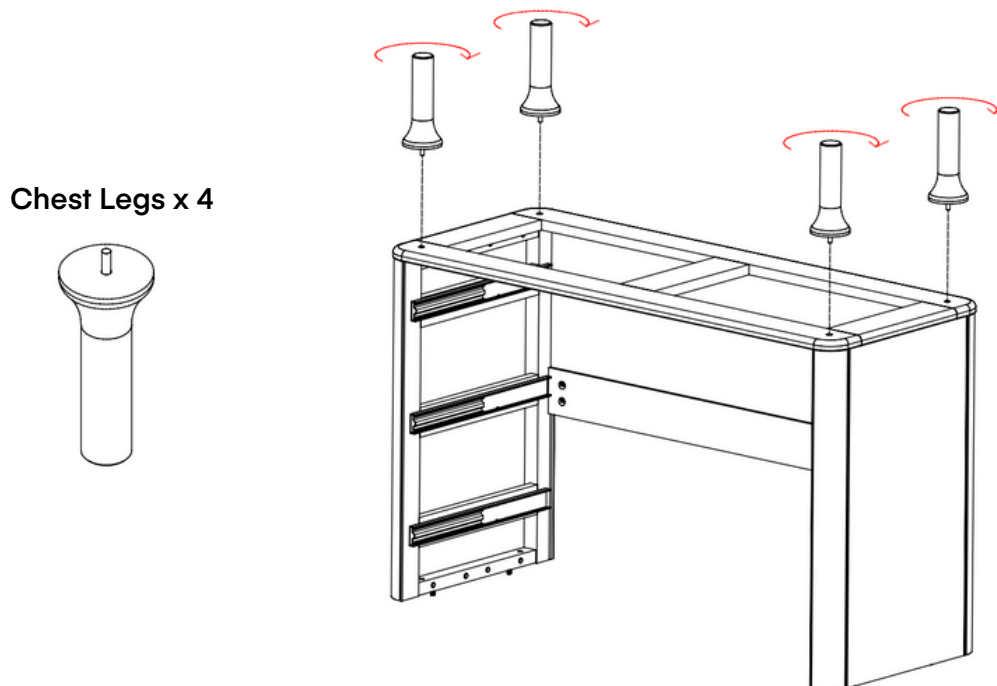
tasman ECO

Assembly (continued...)

STEP 3: You will need to have your chest, bottom facing up here. Slide 1 x back chest panel to fit between the 2 x chest sides, you'll see where they need to slide in. Then, using your M6 x 35mm bolts, connect your bottom panel and chest panel together, as pictured below.



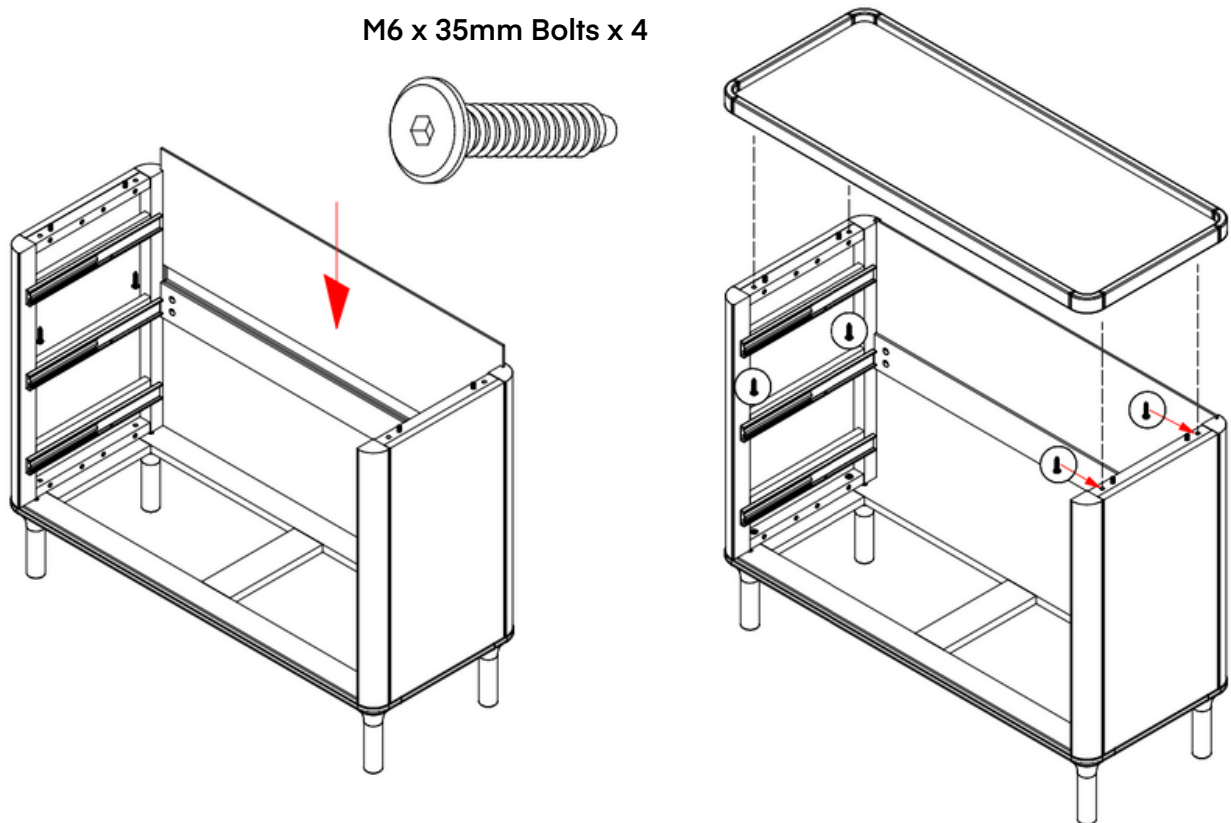
STEP 4: With your chest still this way round, screw your chest legs in, screwing them in clockwise.



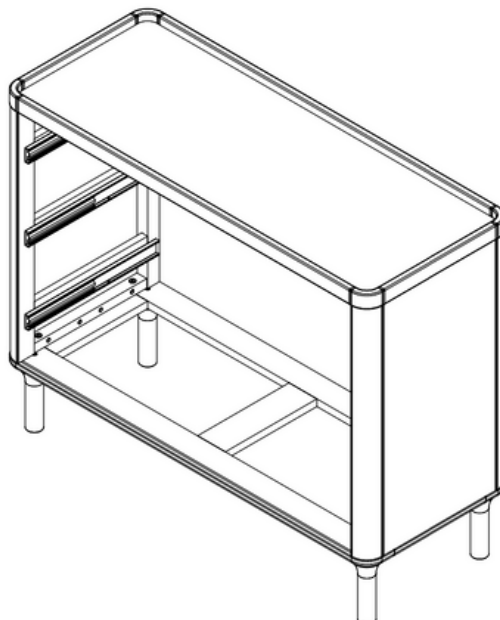
tasman ECO

Assembly (continued...)

STEP 5: Turn your chest the right way up, you might need two people to do this. Insert the other back panel into the slots on the back of the 2 x chest side panels. Now, use your M6 x 35mm bolts to connect the chest top and cot side panels.



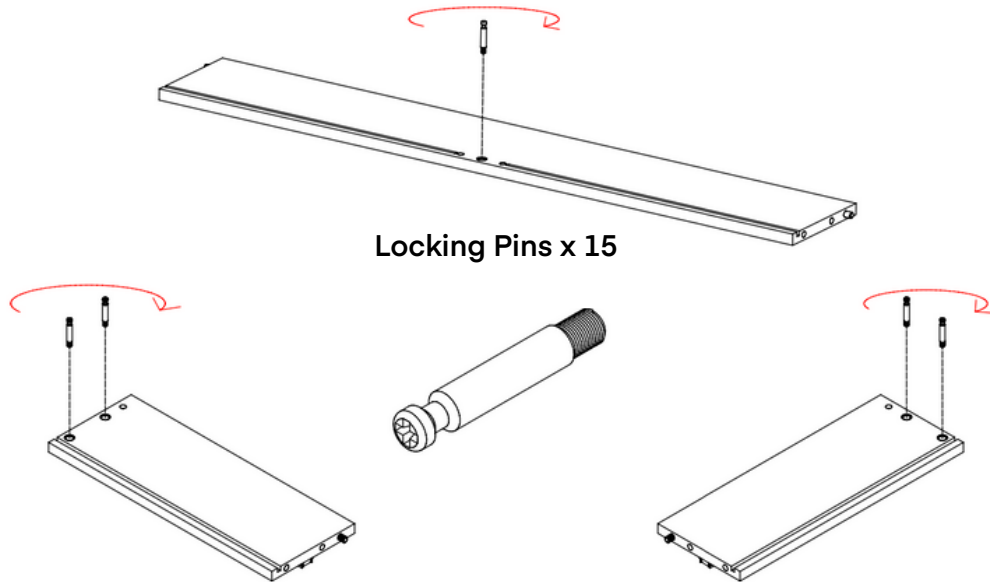
STEP 6: The chest frame is completed, now to make your drawers.



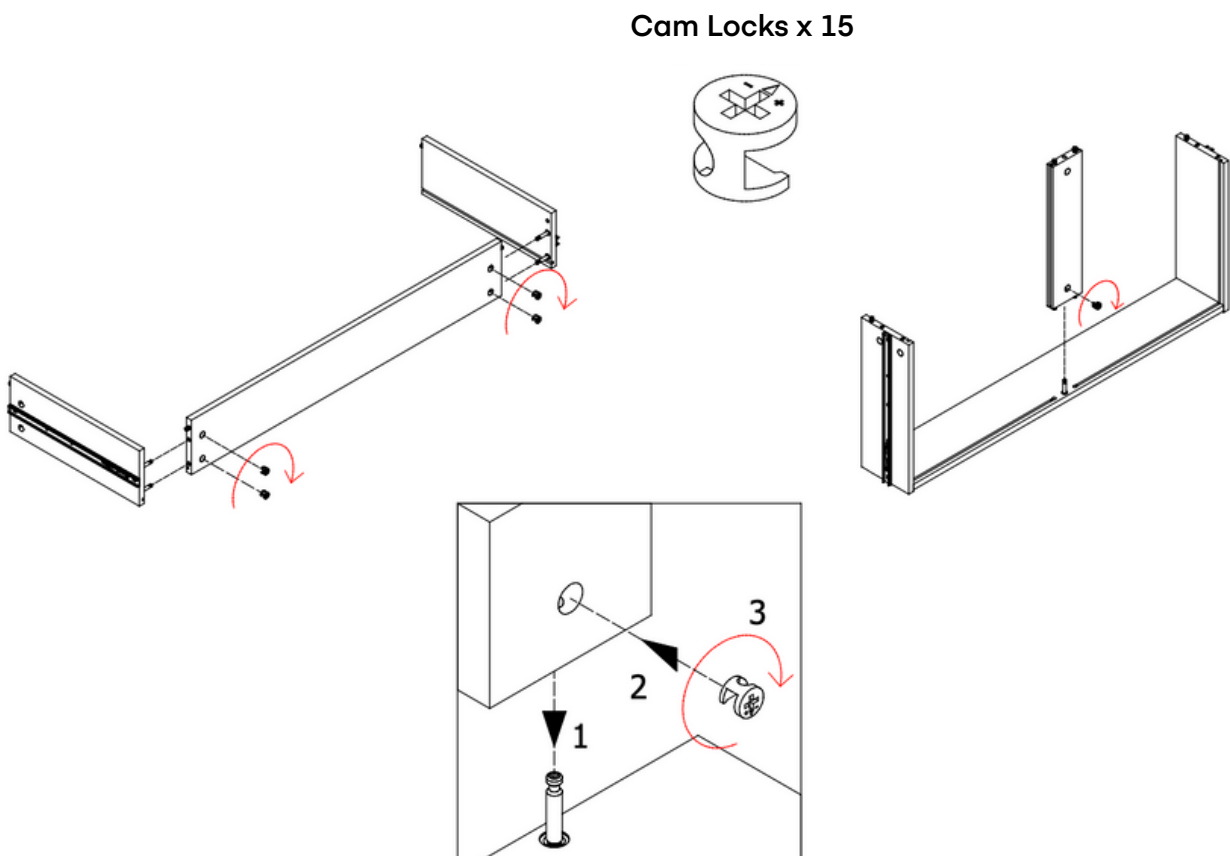
tasman ECO

Assembly (continued...)

STEP 7: Using your locking pins, screw these in, to your drawer back panels and the drawer sides, as pictured below.



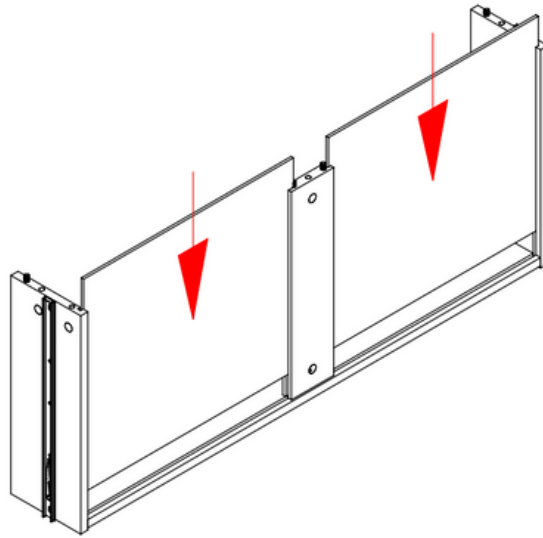
STEP 8: Now, connect the back of the drawer panel with the drawer sides and the middle drawer panel, using your cam locks to lock them all into place.



tasman ECO

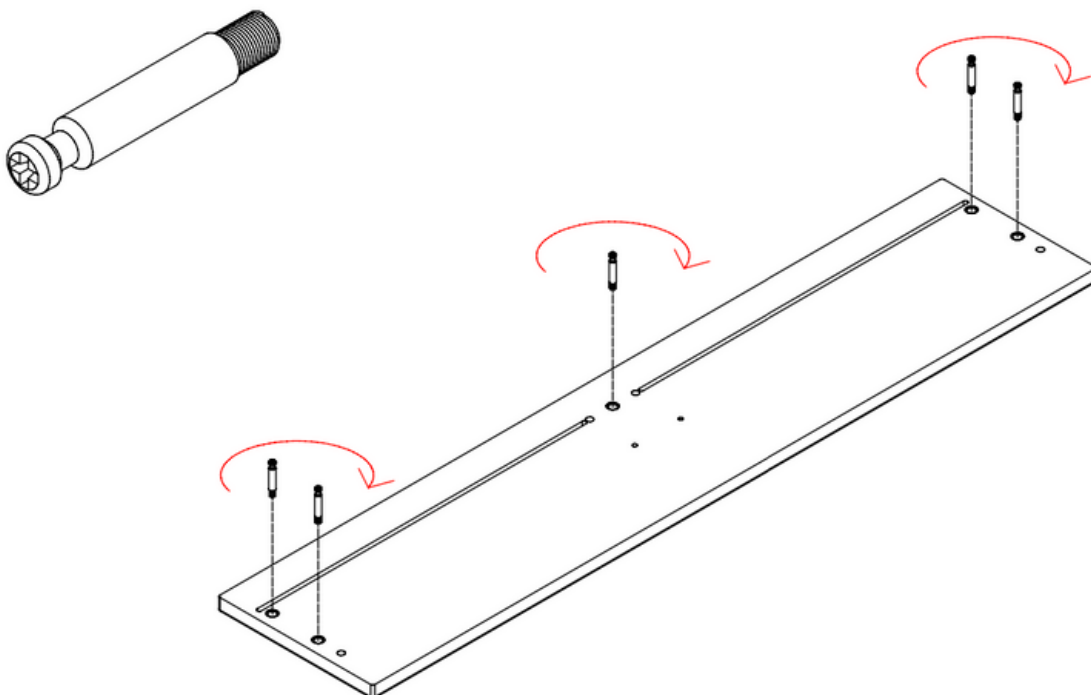
Assembly (continued...)

STEP 9: Slide in your bottom drawer surfaces, as pictured below. You will need 2 surfaces per drawer and you will do this for all 3 drawers.



STEP 10: Using your locking pins, screw these into place on the back of the drawer face, as pictured below.

Locking Pins x 15

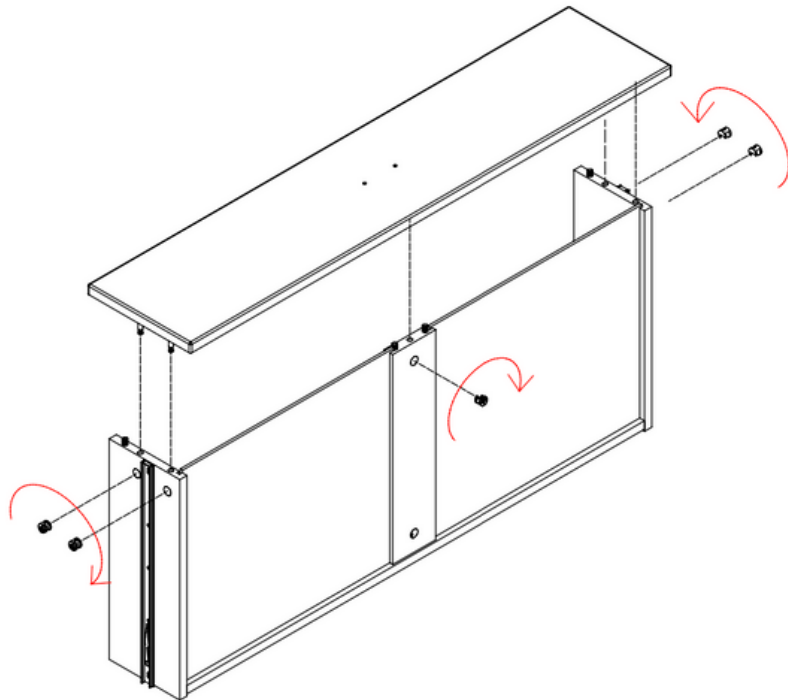
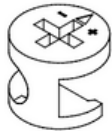


tasman ECO

Assembly (continued...)

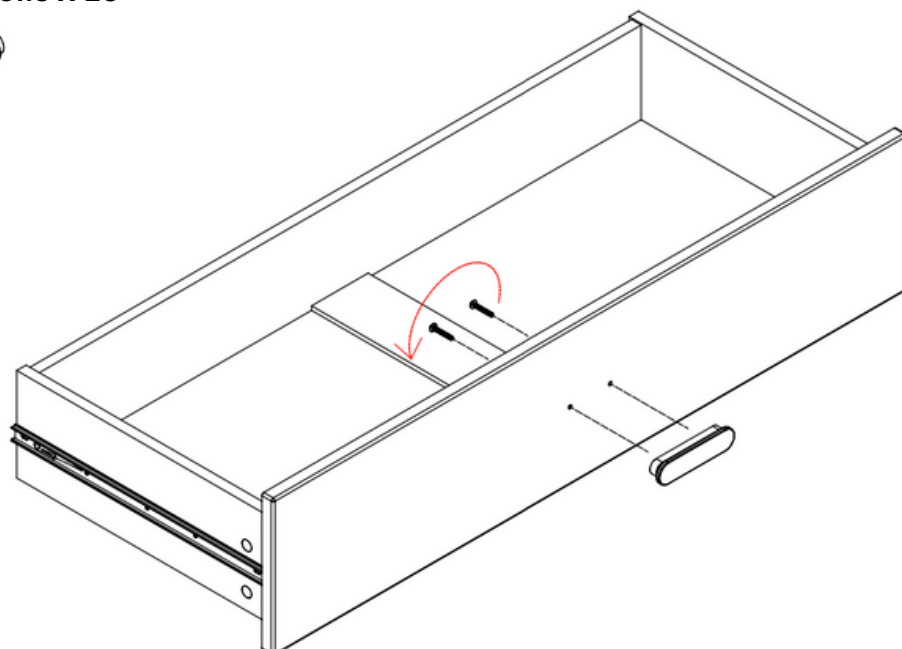
STEP 11: Now, it's time to connect the back of the drawer, you'll need to connect the drawer surface and the drawer sides, you will lock it in with your cam locks.

Cam Locks x 15



STEP 12: Using your M4 x 30mm bolts, screw from behind the drawer face, to connect the draw handle to the drawer.

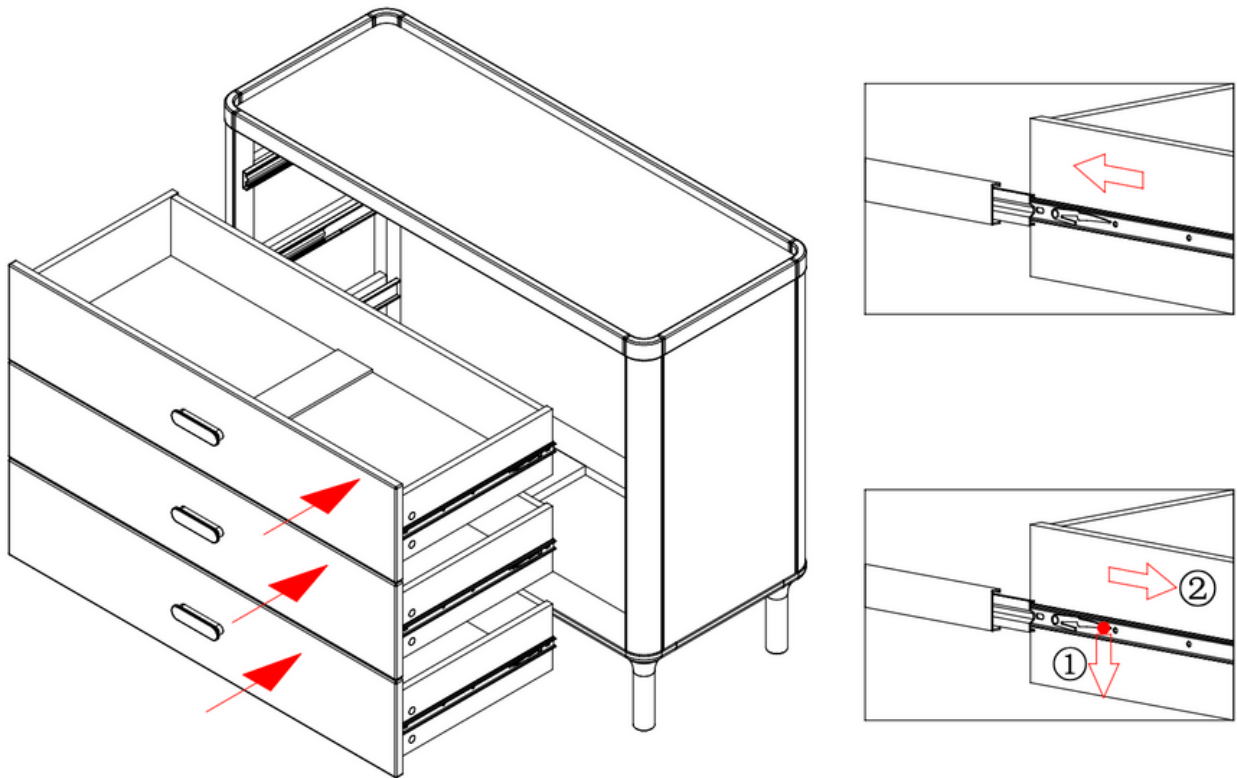
M4 x 30mm Bolts x 15



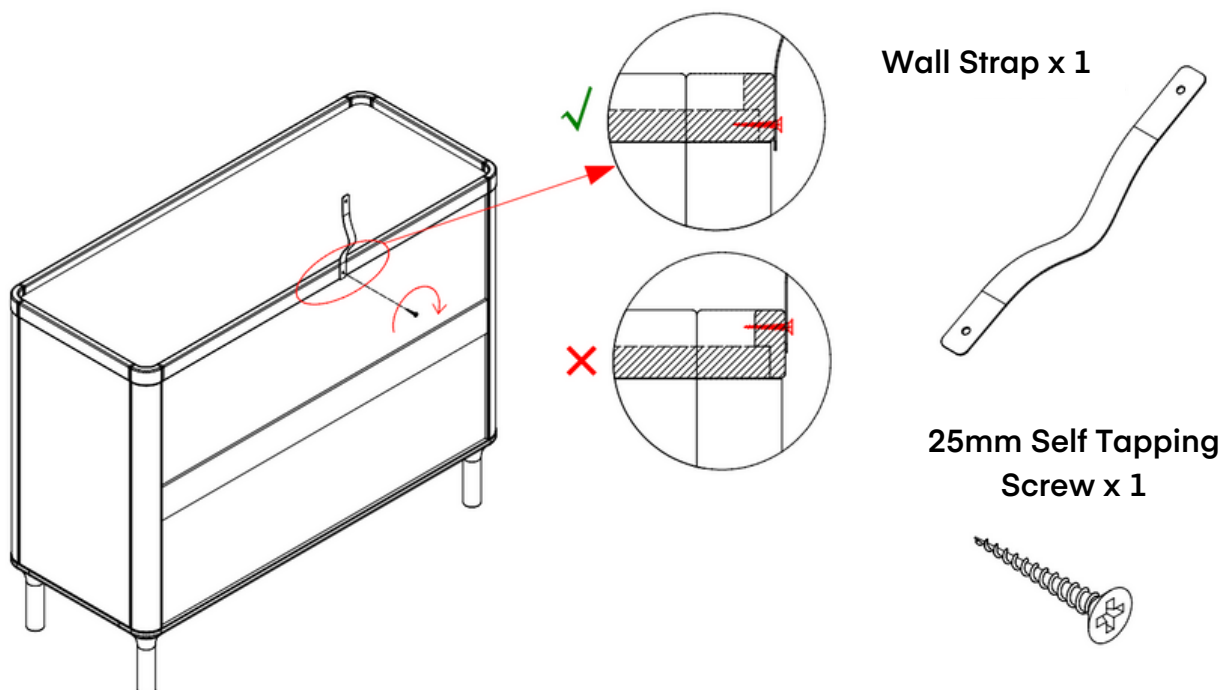
tasman ECO

Assembly (continued...)

STEP 13: Now, install the drawers you prepared earlier into the chest frames.



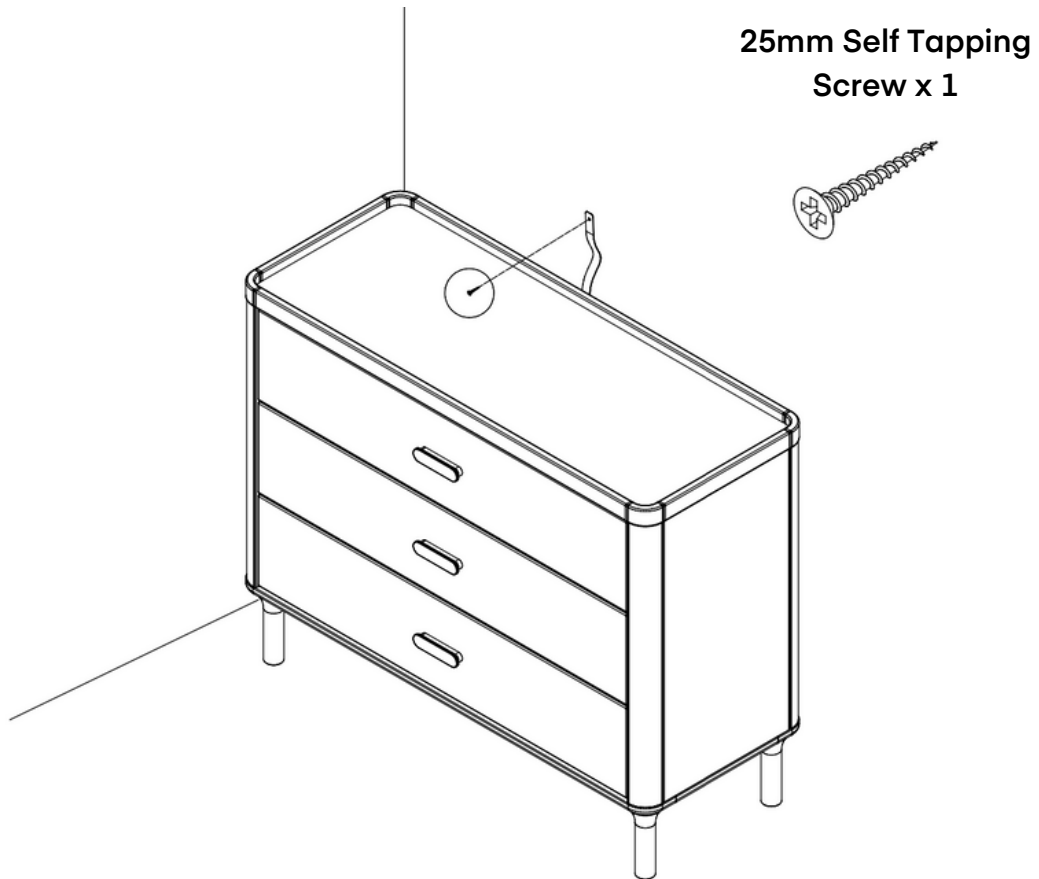
STEP 14: Use your 1 x 25mm Self Tapping Screw to install one end of the wall strap to the back of your chest.



tasman ECO

Assembly (continued...)

STEP 15: Use your 25mm self tapping screw to secure your chest to the wall, to prevent the chest from falling.



tasman ECO

Product Guarantee

Our goods come with guarantees that cannot be excluded under the Australian Consumer Law. You are entitled to a replacement or refund for a major failure and for compensation of any other foreseeable loss or damage. You are also entitled to have the goods repaired or replaced if the goods fail to be of acceptable quality and the failure does not amount to a major failure.

2 YEAR MATERIALS AND WORKMANSHIP GUARANTEE

If within 2 years of the date of purchase of this product, there is found any defect in materials or workmanship of this product, Tasman Eco Pty Ltd will replace the product free of charge, subject to the condition below:

The replacement product will be identical to the originally purchased product where possible, though in situations where the identical model is discontinued or out of stock, then Tasman Eco Pty Ltd will replace the product with a model that is functionally equivalent.

This guarantee is made to the purchaser and/or original owner only. For purposes of this guarantee, the original owner is considered to be the person who first makes use of the product.

Note: In situations where an individual purchases this product for the purpose of gifting to another, the recipient is considered to be the original owner.

CONDITIONS

The 2 year Material and Workmanship Guarantee will be void and nullified in circumstances where:

1. The item is improperly assembled or adjusted and/or not assembled strictly in accordance with the written instructions provided by the seller in the box containing the item.
2. There is damage to the product and that damage is deemed by Tasman Eco Pty Ltd to be caused by incorrect assembly, misuse or by use or storage outside of the physical or environmental specifications of the product.
3. There are modifications to the product or to parts of the product that were not authorised in writing by Tasman Eco Pty Ltd.
4. The item is transferred, gifted or disposed of by the original owner to another.

REGISTRATION AND CLAIM

To be eligible for the above guarantee, the original owner must register their details online at www.tasmaneco.com.au immediately upon receipt of the product. The product must be returned to Tasman Eco Pty Ltd or to the place of purchase with proof of purchase, including date and purchase price.