

tasman **ECO**

Assembly Instructions: *Willow Cot*



IMPORTANT

DO NOT OVER-TIGHTEN SCREWS.
Tighten all screws and connectors by hand,
not power tools.

Read all instructions before assembly and use of product.
Recommended that two people complete this assembly.
Save these instructions for future use.



tasman ECO

Safety Considerations - Child

- Follow manufacturer's assembly instructions in detail, ensuring safety features are not compromised.
- ENSURE THE COT IS NOT POSITIONED TOO CLOSE TO HEATERS, BLINDS, CURTAINS, WINDOWS OR POWERPOINTS.
- DO NOT KEEP ITEMS NEARBY WHERE THERE IS DANGER OF THE ITEM FALLING INTO THE COT.
- KEEP ANY MEDICATION, STRING, ELASTICS OR SMALL ITEMS OUT OF REACH OF YOUR COT, PREVENTING THE CHILD REACHING FROM OUT OF THE COT, WITH ANY SUFFOCATION OR STRANGLE RISKS.
- TO PREVENT FALLS, THE BASE OF THE COT SHOULD BE ADJUSTED TO THE LOWEST POSITION BEFORE YOUR CHILD CAN SIT UP.

Safety Considerations - Cot

- Tighten your connector bolts, at least two months after cot assembly, some may loosen as the cot settles.
- Regularly check your connector bolts, ensuring they are tight, and regularly check the cot for any weakness in the panel joints and panels. If weaknesses are found, report immediately, to Tasman Eco (services@tasmaneco.com.au).
- Do not use the cot if it has been damaged in any way.
- Always use spare parts direct from Tasman Eco, these can be purchased via the website.

Cleaning and Care

- For general dusting wipe the cot with dry soft cloth
- To remove spills, dirt or anything your baby throws at you use warm soapy water
- Avoid using a scourer/steel wool, these damage the finish
- Always dry the cot after cleaning

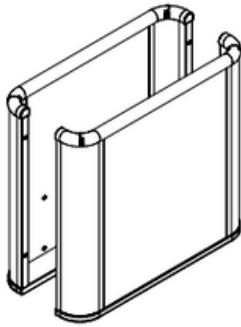
Recommended Mattress Size

- This cot is manufactured to use with a mattress sized 690mm (W) x 1300mm (L) x 120mm (H).
- It is important that the gaps between the mattress, sides and end of the cot do not exceed 40mm when the mattress is pushed to one side and it should not exceed 20mm when the mattress is centred in the cot. This minimises the risk of a child's limb becoming caught in a gap.
- Mattress thickness specified ensures the depth of the cot is greater than 500mm with the mattress base in the lower position, minimising the risk of a child climbing and falling from the cot.

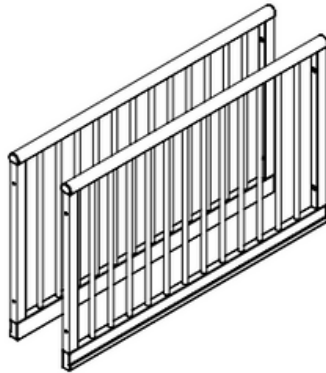
tasman ECO

Parts List

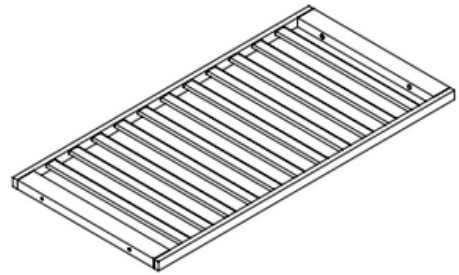
Headboards x 2



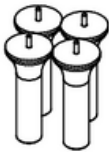
Cot Sides x 2



Cot Base x 1



Cot Legs x 4



Hardware List

M6 x 15mm Bolt x 4



M6 x 50mm Bolt x 8



M6 x 70mm Bolt x 4



Allen Key x 1



WARNING

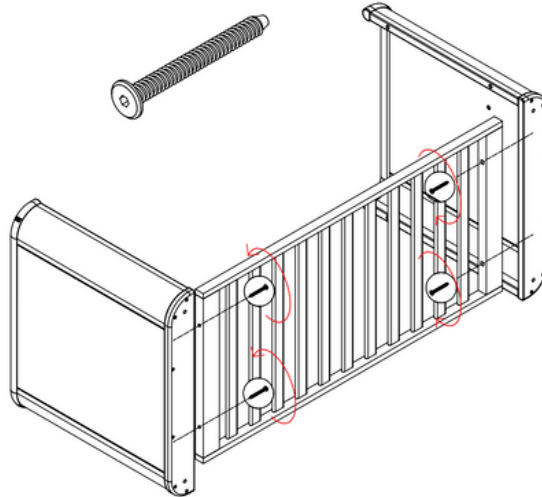
Small parts can present as a choking hazard. Always keep small parts out of the way of children, during and after assembly. Store unused small parts in a safe place.

tasman ECO

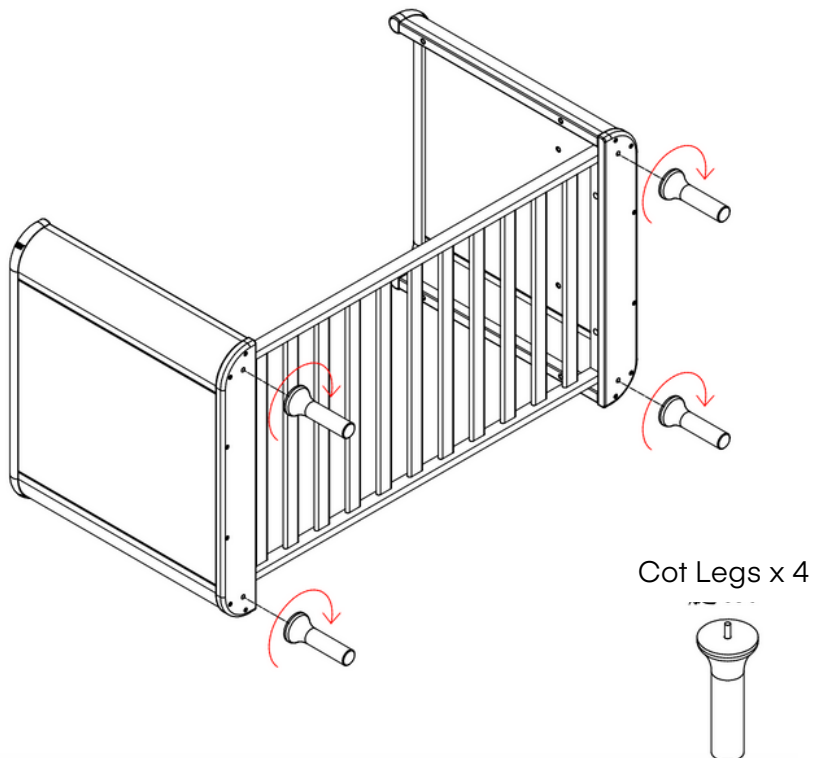
Assembly

STEP 1: Before you begin, you might find STEP 1 easier to complete with the cot on its side, as pictured below. Loosely connect (you will tighten later) the cot base and the cot headboards using M6 x 70mm bolts.

M6 x 70mm Bolt x 4



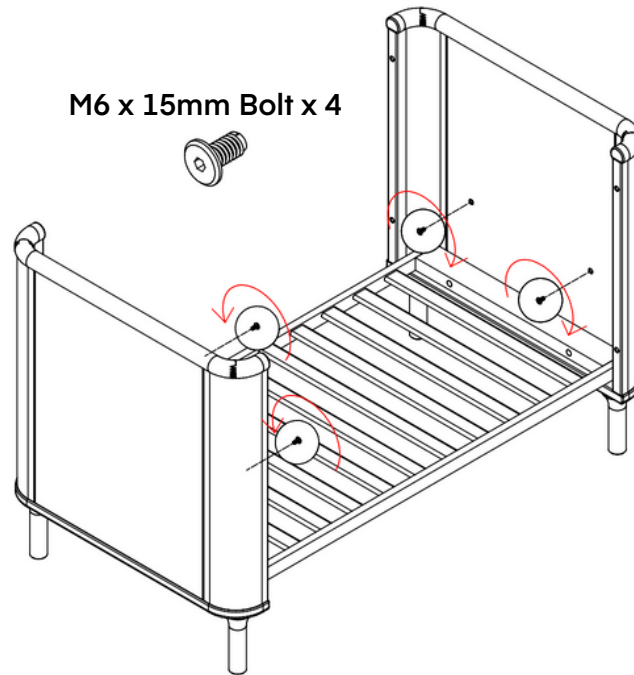
STEP 2: With the bed still on its side, screw the legs of the bed to the cot base, by hand. You need to turn these clockwise.



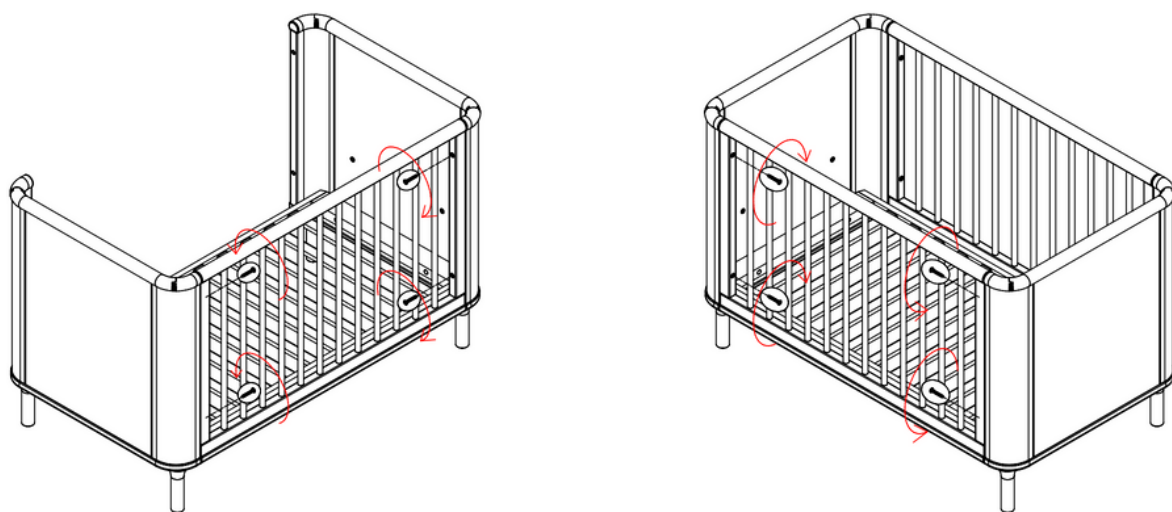
tasman ECO

Assembly (continued...)

STEP 3: If the bed was on its side, take caution and bring the cot upright, lift from both sides, have someone help you do this. Using your M6 x 15mm bolts, screw these in to cover the unused holes on the cot headboards.



STEP 4: Use your M6 x 50mm bolts to connect the cot sides to the cot headboards.



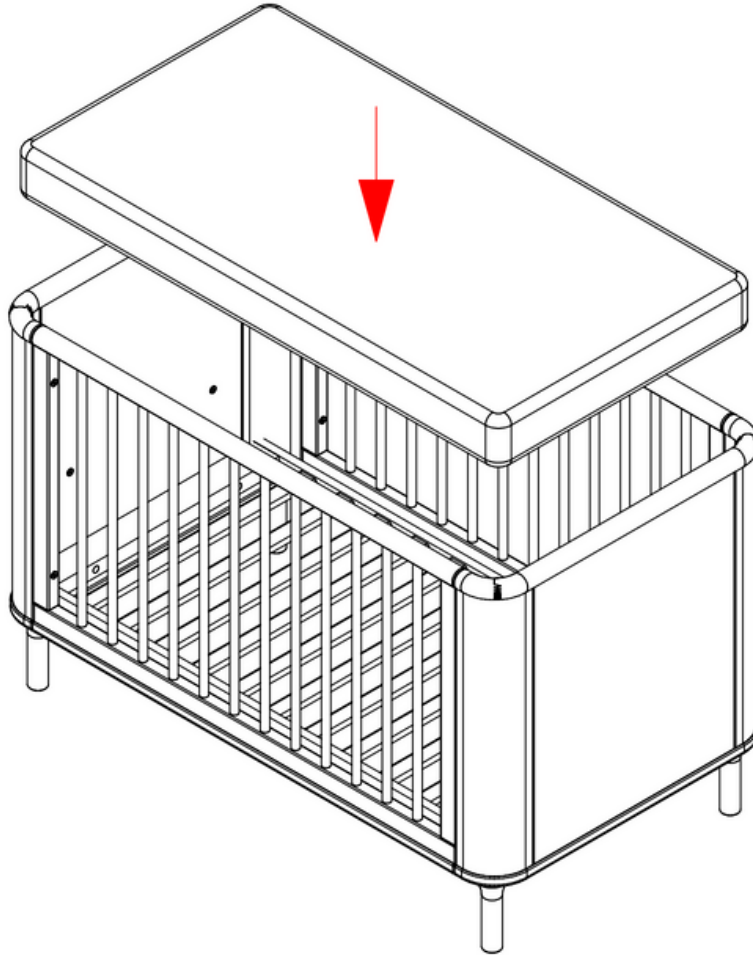
M6 x 50mm Bolt x 8



tasman ECO

Assembly (continued...)

STEP 5: Tighten any screws, using your allen key if they feel loose. Pop your mattress into the cot and the cot build is complete.



tasman ECO

YOU'VE GOT A CONVERSION COT!

You've purchased a Tasman Eco conversion cot, a cot that grows with you and your family, a piece that will be with your little one for their early years.

This cot that you're building can convert from bassinet height, to cot height and then to a toddler bed.

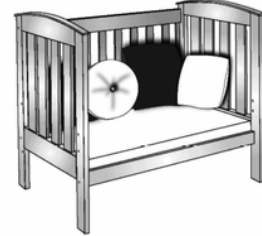
Converting your cot is easy. Check out the drawings below, plus some tips and tricks to note when converting your cot.



Bassinet Height



Cot Height



Toddler Bed

From Bassinet to Cot Height

- Tilt your cot to its side and simply loosen all of the fixed side panels, which will allow for some movement.
- When all 4 sides are loose, remove each of the screws from the base and bring the base down to the cot base height.
- Re-insert and screw the screws back in.
- Once your screws have been put back into the fixed sides (by hand), bring the cot back up to standing position. If you find it easier to adjust the base height with the cot upright, this is also okay.

From Cot Height to Toddler Bed

- To convert your cot to a toddler bed, simply remove one of your cot fixed sides and insert the cap screws provided.

tasman ECO

Product Guarantee

Our goods come with guarantees that cannot be excluded under the Australian Consumer Law. You are entitled to a replacement or refund for a major failure and for compensation of any other foreseeable loss or damage. You are also entitled to have the goods repaired or replaced if the goods fail to be of acceptable quality and the failure does not amount to a major failure.

2 YEAR MATERIALS AND WORKMANSHIP GUARANTEE

If within 2 years of the date of purchase of this product, there is found any defect in materials or workmanship of this product, Tasman Eco Pty Ltd will replace the product free of charge, subject to the condition below:

The replacement product will be identical to the originally purchased product where possible, though in situations where the identical model is discontinued or out of stock, then Tasman Eco Pty Ltd will replace the product with a model that is functionally equivalent.

This guarantee is made to the purchaser and/or original owner only. For purposes of this guarantee, the original owner is considered to be the person who first makes use of the product.

Note: In situations where an individual purchases this product for the purpose of gifting to another, the recipient is considered to be the original owner.

CONDITIONS

The 2 year Material and Workmanship Guarantee will be void and nullified in circumstances where:

1. The item is improperly assembled or adjusted and/or not assembled strictly in accordance with the written instructions provided by the seller in the box containing the item.
2. There is damage to the product and that damage is deemed by Tasman Eco Pty Ltd to be caused by incorrect assembly, misuse or by use or storage outside of the physical or environmental specifications of the product.
3. There are modifications to the product or to parts of the product that were not authorised in writing by Tasman Eco Pty Ltd.
4. The item is transferred, gifted or disposed of by the original owner to another.

REGISTRATION AND CLAIM

To be eligible for the above guarantee, the original owner must register their details online at www.tasmaneco.com.au immediately upon receipt of the product. The product must be returned to Tasman Eco Pty Ltd or to the place of purchase with proof of purchase, including date and purchase price.