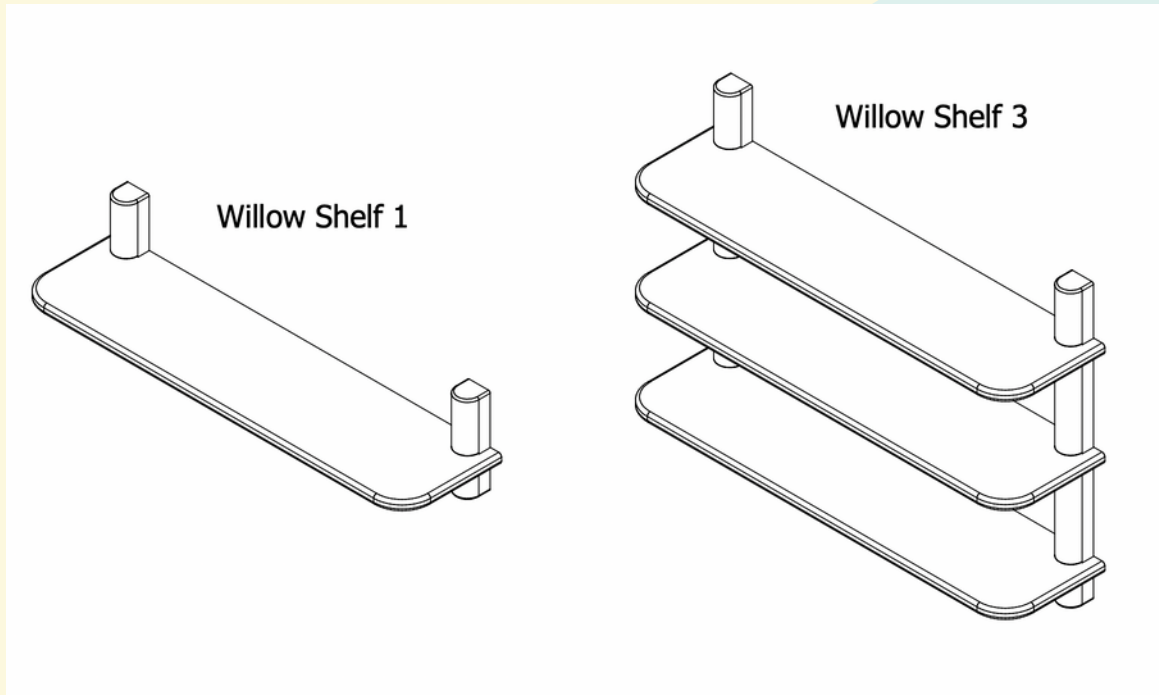


Assembly Instructions: *Willow Shelves*



IMPORTANT

DO NOT OVER-TIGHTEN SCREWS.
Tighten all screws and connectors by hand,
not power tools.

Read all instructions before assembly and use of product.
Recommended that two people complete this assembly.
Save these instructions for future use.



tasman ECO

Safety Considerations - Child

- Follow manufacturer's assembly instructions in detail, ensuring safety features are not compromised.
- ENSURE THE TOY BOX IS NOT POSITIONED TOO CLOSE TO HEATERS, BLINDS, CURTAINS, WINDOWS OR POWERPOINTS.
- DO NOT KEEP ITEMS NEARBY WHERE THERE IS DANGER OF THE ITEM FALLING INTO THE TOY BOX.
- KEEP ANY MEDICATION, STRING, ELASTICS OR SMALL ITEMS OUT OF REACH. PREVENTING THE CHILD REACHING TO THE TOY BOX, WITH ANY SUFFOCATION OR STRANGLE RISKS.
- TO PREVENT FALLS, NO CHILD SHOULD BE ON TOP OF THE TOY BOX, ESPECIALLY WITHOUT SUPERVISION.
- BE CAREFUL NOT TO APPLY TOO MUCH WEIGHT AND/OR PRESSURE TO THE TOY BOX, ALSO BEWARE THAT YOUR CHILD IS NOT PLACED OR IN A SITUATION TO BE STUCK IN THE TOY BOX, IT SHOULD ONLY BE USED FOR STORAGE.

Cleaning and Care

- For general dusting wipe the cot with dry soft cloth
- To remove spills, dirt or anything your baby throws at you use warm soapy water
- Avoid using a scourer/steel wool, these damage the finish
- Always dry the product after cleaning

tasman ECO

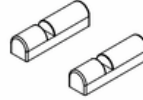
Parts List

ONE SHELF

Shelf x 1

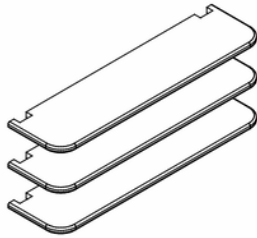


Wall Bracket x 2

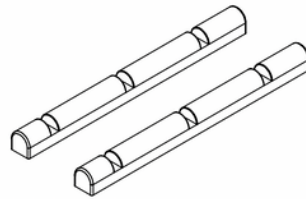


THREE SHELVES

Shelf x 3



Wall Bracket x 2



Hardware List

ONE SHELF

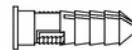
M6 x 35mm x 2



Allen Key x 1



Plastic Wall Anchor x 2



25mm Screw x 2



Measurement Template (60cm) x 1



THREE SHELVES

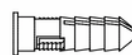
M6 x 35mm x 6



Allen Key x 1



Plastic Wall Anchor x 4



25mm Screw x 4



Measurement Template (60cm) x 1



Measurement Template (33cm) x 1



WARNING

Small parts can present as a choking hazard. Always keep small parts out of the way of children, during and after assembly. Store unused small parts in a safe place.

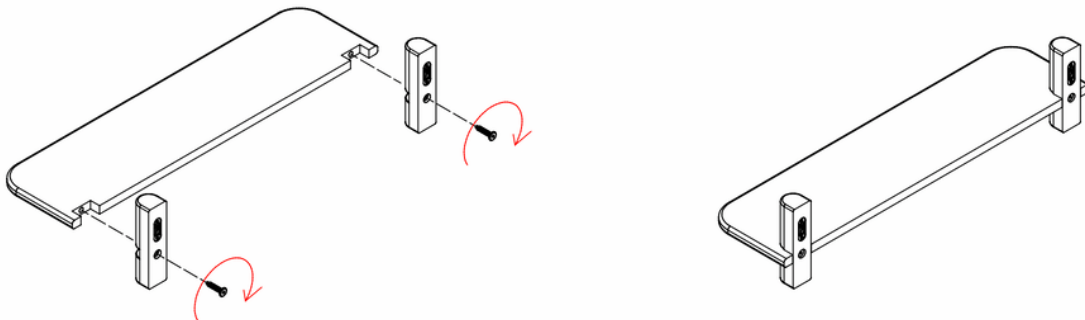
tasman ECO

Assembly

ONE SHELF

STEP 1: Use your M6 x 35mm screws in order to connect the shelf to the wall brackets.

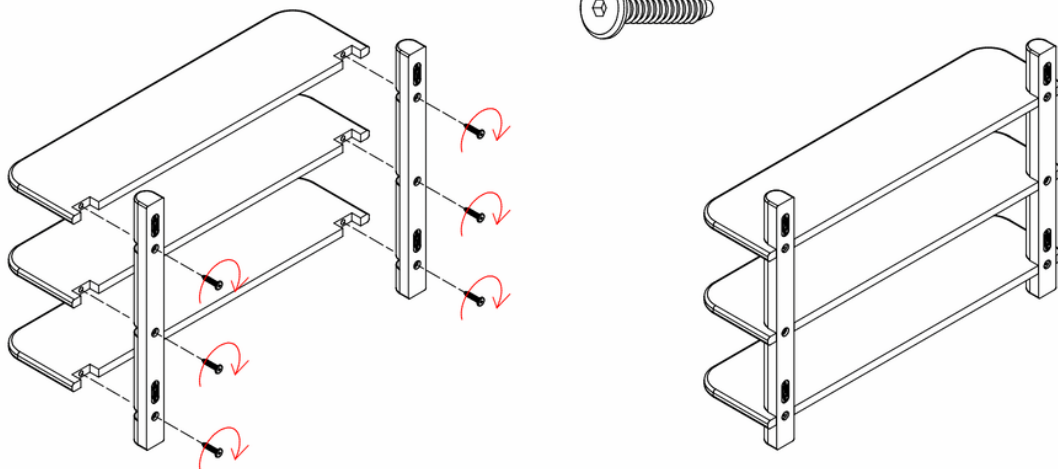
M6 x 35mm x 2



THREE SHELVES

STEP 1: Use your M6 x 35mm screws in order to connect the shelf to the wall brackets.

M6 x 35mm x 6

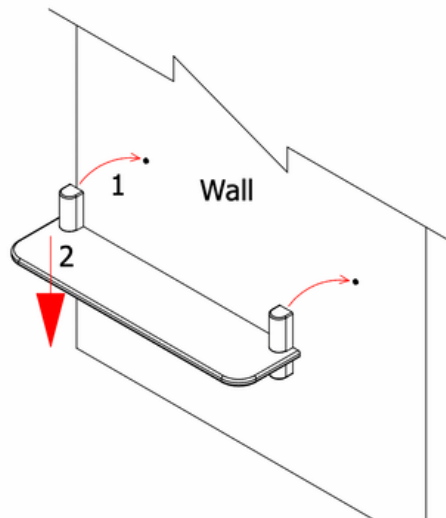


tasman ECO

Assembly (continued...)

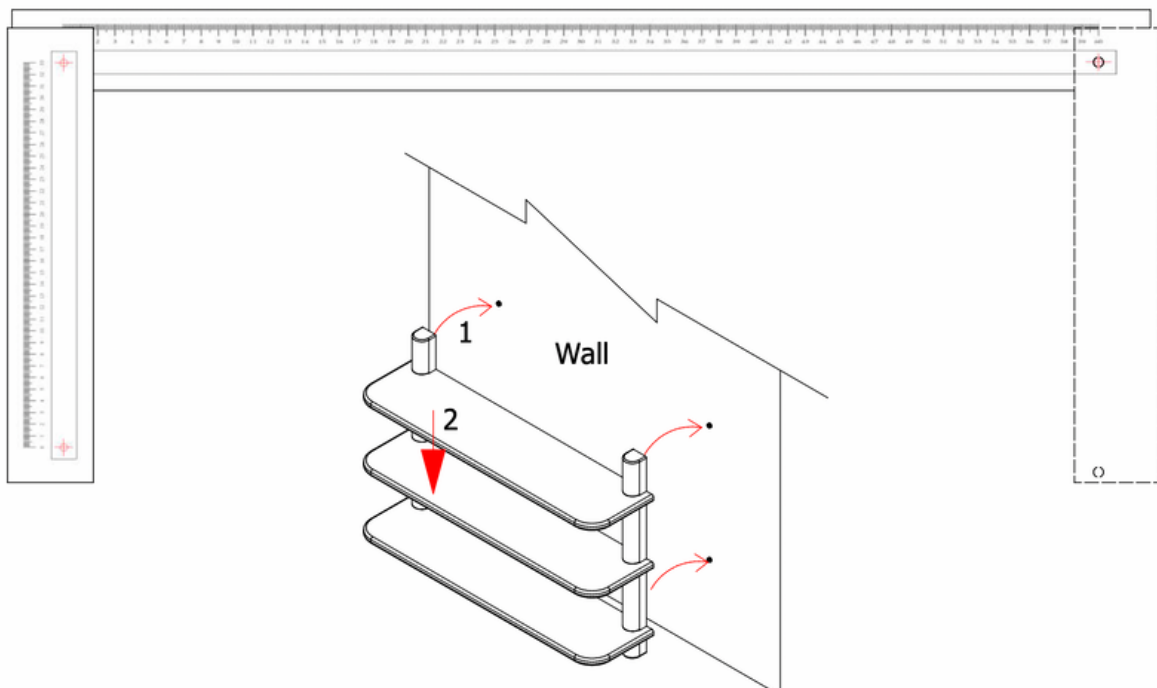
ONE SHELF

STEP 3: Use a 60cm measurement template to assist you in drilling holes into the wall, that are the correct distance between the 2 x wall brackets. Once you have drilled the holes, insert your plastic wall anchors and 25mm screws into the drilled holes. From here, hang your shelves to the 25mm screws and pull down to complete the install.



THREE SHELVES

STEP 3: Use a 60cm + 33cm measurement template to assist you in drilling holes into the wall, that are the correct distance between the 2 x wall brackets. Once you have drilled the holes, insert your plastic wall anchors and 25mm screws into the drilled holes. From here, hang your shelves to the 25mm screws and pull down to complete the install.



tasman ECO

Product Guarantee

Our goods come with guarantees that cannot be excluded under the Australian Consumer Law. You are entitled to a replacement or refund for a major failure and for compensation of any other foreseeable loss or damage. You are also entitled to have the goods repaired or replaced if the goods fail to be of acceptable quality and the failure does not amount to a major failure.

2 YEAR MATERIALS AND WORKMANSHIP GUARANTEE

If within 2 years of the date of purchase of this product, there is found any defect in materials or workmanship of this product, Tasman Eco Pty Ltd will replace the product free of charge, subject to the condition below:

The replacement product will be identical to the originally purchased product where possible, though in situations where the identical model is discontinued or out of stock, then Tasman Eco Pty Ltd will replace the product with a model that is functionally equivalent.

This guarantee is made to the purchaser and/or original owner only. For purposes of this guarantee, the original owner is considered to be the person who first makes use of the product.

Note: In situations where an individual purchases this product for the purpose of gifting to another, the recipient is considered to be the original owner.

CONDITIONS

The 2 year Material and Workmanship Guarantee will be void and nullified in circumstances where:

1. The item is improperly assembled or adjusted and/or not assembled strictly in accordance with the written instructions provided by the seller in the box containing the item.
2. There is damage to the product and that damage is deemed by Tasman Eco Pty Ltd to be caused by incorrect assembly, misuse or by use or storage outside of the physical or environmental specifications of the product.
3. There are modifications to the product or to parts of the product that were not authorised in writing by Tasman Eco Pty Ltd.
4. The item is transferred, gifted or disposed of by the original owner to another.

REGISTRATION AND CLAIM

To be eligible for the above guarantee, the original owner must register their details online at www.tasmaneco.com.au immediately upon receipt of the product. The product must be returned to Tasman Eco Pty Ltd or to the place of purchase with proof of purchase, including date and purchase price.